

Color Bullet Camera

HTC-230 / HTC-231

The CAMERA HUNT HTC-230 / HTC-231 has a CCD image Sensor and all solid state circuitry which provides extremely long life and high sensitivity.

High quality picture, aesthetic and easy to install, the HTC-230 / HTC-231 is good complements for your line of CCTV system.

AUTOMATIC GAIN CONTROL (AGC)

The adoption of an AUTOMATIC GAIN CONTROL (AGC) provides clear image in low light condition

ELECTRONIC IRIS

The Color CCD CAMERA HTC-230 / HTC-231 incorporate the ELECTRONIC IRIS up to 1/100,000 sec.

GAMMA CHARACTERISTIC

The Color CCD CAMERA HTC-230 / HTC-231 incorporate the corrector of GAMMA :0.45

CHANGEABLE LENS MOUNT

The bullet CCD CAMERA HTC-230 / HTC-231 include a LENS 3.6 mm F:2.0 and we can also use the optional LENS 4.0mm F:2.0 / 6.0mm F:2.0 / 8.0mm F:2.0 / 12.0mm F:2.0

SPECIFICATIONS

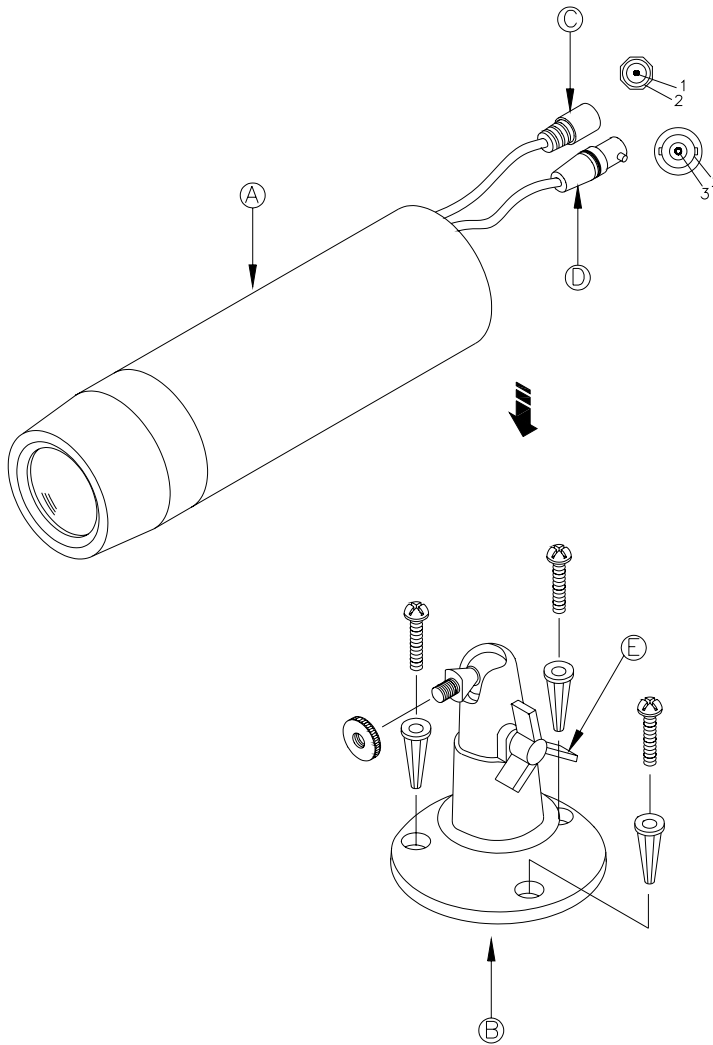
ITEMS	HTC-230	HTC-231
PICK UP ELEMENT	1/4" CCD IMAGE SENSOR	
PICTURE ELEMENTS H x V	NTSC:510 x 492 - PAL:500 x 582	
HORIZONTAL RESOLUTION	More than 400 TV Lines	
H. SYNC.FREQUENCY	NTSC:15.734kHz. - PAL:15.625 kHz	
V. SYNC. FREQUENCY	NTSC:59.94Hz – PAL: 50Hz	
SCANNING SYSTEM	2:1 INTERLACE	
SENSITIVITY	1 Lux	
SYNCHORIZATION	INTERNAL	
S/N RATIO	More than 48 dB	
ELECTRONIC SHUTTER	Up TO 1/100,000 sec. (Linear) Auto	
GAMMA	0.45	
LENS	f 3.6mm / F2.0(standard) 2.9mm, 6.0mm, 8.0mm, 12.0mm option	
VIDEO OUTPUT	1 Vpp,75 Ohms	
AGC	AUTO	
POWER SUPPLY	12 VDC (+/- 10%)	
POWER CONSUMPTION	125mA	
DIMENSION (mm)	Ø22 x W76	
WEIGHT gr	80	
STORAGE TEMPERATURE	-30 to + 60 Degree C	
OPERATING TEMPERATURE	-10 to + 50 Degree C	

*SPECIFICATIONS ARE SUBJECT TO CHANGE WITHOUT NOTICE.

CONNECTIONS

1. Use the screws to fix on the wall.
2. Connect the Bracket(B) and Camera.
3. Connect BNC connector(D) to the video output of camera.
4. Connect DC Jack(C) to the power of DC12V.
5. Adjust the view of camera, then, fix it with the twistor(E).

LOCATIONS . PARTS NAME &ACCESSORIES



- Ⓐ Camera
- Ⓑ Bracket
- Ⓒ DC JACK
- Ⓓ BNC
- Ⓔ TWISTOR