

DSP COLOR BOARD CAMERA

HTC-26036V24 / HTC-26636V24

The DSP Color BOARD camera HTC-26036V24 and HTC-26636V24 incorporates advanced 1/3" high performing CCD Sensor and digital signal processor (DSP) circuit.

HTC-26036V24 (NTSC) Color CCD Camera incorporates the sensor 250,000 pixels, 1/3",

HTC-26036V24 (PAL) Color CCD Camera incorporates the sensor 296,000 pixels, 1/3",

HTC-26636V24 (NTSC) Color CCD Camera incorporates the sensor 380,000 pixels, 1/3",

HTC-26636V24 (PAL) Color CCD Camera incorporates the sensor 440,000 pixels, 1/3",

High quality picture, aesthetic and easy to install, the HTC-26036V24 and HTC-26636V24 are good complements for your line of CCTV system.

AUTOMATIC TRACING WHITE BALANCE

The Color CCD CAMERA HTC-26036V24 and HTC-26636V24 employ AUTO TRACING WHITE BALANCE adjustment circuit that adjusts continuously the picture as lighting conditions change for making the correct WHITE BALANCE adjustment AUTO.

AUTOMATIC GAIN CONTROL (AGC)

The adoption of an AUTOMATIC GAIN CONTROL (AGC) provides clear image in low light condition.

AUTO ELECTRONIC SHUTTER (AES)—ON/OFF Switch

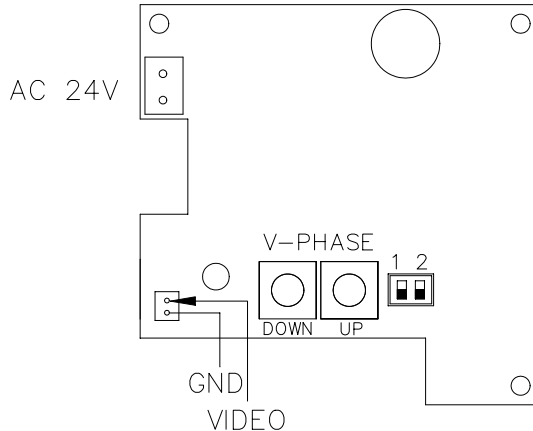
The Color CCD BOARD CAMERA HTC-26036V24 and HTC-26636V24 incorporates the ELECTRONIC SHUTTER up to 1/100,000 sec.

BACK LIGHT COMPENSATION (BLC)—ON/OFF Switch

As you take a picture with strong light behind the subject, the picture would be looked very dim on the subject.

In this case, you should select BLC ON, the AES should be in ON position.

NOTE: When you select BLC ON, the AES should be in ON position.



1. AES ON/OFF Switch
2. BLC ON/OFF Switch

EXT VBS (Option)

The EXT VBS function is automatic detection, when 1Vp-p video signal input, camera sync mode auto switch to EXT VBS.

GAMMA CHARACTERISTIC

The Color BOARD CAMERAS of HTC-26036V24 and HTC-26636V24 incorporate the corrector of GAMMA :0.45

CHANGEABLE LENS MOUNT

The Color BOARD CAMERAS HTC-26036V24 and HTC-26636V24 include a LENS 3.6 mm F:2.0 and we can also use the optional LENS 2.9mm F:2.0, 6.0 mm F:2.0, 8.0mm F2.0.

PACKING

Camera	1
Instructions manual	1
Screw for mounting fixation	3

SPECIFICATOINS

ITEM NO.	HTC-26036V24	HTC-26636V24
PICK UP DEVICE	1/3" CCD IMAGE SENSOR	
PICTURE ELEMENTS H * V	NTSC: 510*492, PAL: 500*582	NTSC: 771 * 494, PAL: 753 * 582
HORIZONTAL RESOLUTION	More than 400 TV Lines	More than 540 TV Lines
SYNCHRO FREQUENCY	NTSC: 15.734 kHz / 60 Hz – PAL: 15.625 kHz / 50 Hz	
HORI. SYNC. FREQUENCY	NTSC: 60Hz / PAL: 50Hz	
SCANNING SYSTEM	2 : 1 INTERLANCE	
SENSITIVITY	1 Lux F=1.2	0.05 Lux F=1.2
SYNCHRONIZATION	Internal	
S/N RATIO	MORE THAN 48 dB	
ELECTRONIC SHUTTER	Up to 1/100,000 sec.	
BACK LIGHT COMPENSATION	AUTO	
AUTO GAIN CONTROL	AUTO	
WHITE BALANCE	Auto tracing white balance	
GAMMA	0.45	
VIDEO OUTPUT	1 Vpp, 75 Ohms Composite	
Lens	3.6mm lens	
POWER SUPPLY	24V AC	
POWER CONSUMPTION	4W	4.5W
WEIGHT g	150	
DIMENSIONS mm	42 x 42*2	
STORAGE TEMPERATURE	-30 to + 60 Degree C	
OPERATON TEMPERATURE	-10 to + 60 Degree C	

*SPECIFICATIONS ARE SUBJECT TO CHANGE WITHOUT NOTICE.

Dimensions & Connector

