

COLOR WATERPROOF CCD CAMERA

HTC-78A / HTC-79A

The WATERPROOF Colour CAMERA HTC-78A and HTC-79A incorporate advanced 1/3" High performing CCD Sensor and digital signal control circuit.

High quality picture, aesthetic and easy to install, the HTC-78A and HTC-79A are good complements for your line of CCTV system.

AUTOMATIC WHITE BALANCE

The Colour CCD CAMERA HTC-78A and HTC-79A employ AUTO WHITE BALANCE adjustment circuit that adjusts continuously the picture as lighting conditions change for making the correct WHITE BALANCE adjustment AUTO.

AUTOMATIC GAIN CONTROL (AGC)

The adoption of an AUTOMATIC GAIN CONTROL (AGC) provides clear image in low light condition

ELECTRONIC IRIS

The B/W CCD CAMERA HTC-78A and HTC-79A incorporate the ELECTRONIC IRIS up to 1/100,000 sec.

GAMMA CHARACTERISTIC

The B/W CCD CAMERA HTC-78A and HTC-79A incorporate the corrector of GAMMA : 0.45

CHANGEABLE LENS MOUNT

The waterproof CCD CAMERA HTC-78A and HTC-79A include a LENS 3.6 mm F:2.0 and we can also use the optional LENS 2.9mm F:2.0 / 6.0mm F:2.0 / 8.0mm F:2.0 / 12.0mm F:2.0

SPECIFICATIONS

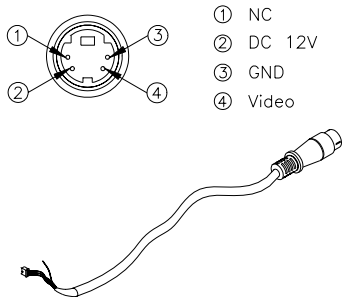
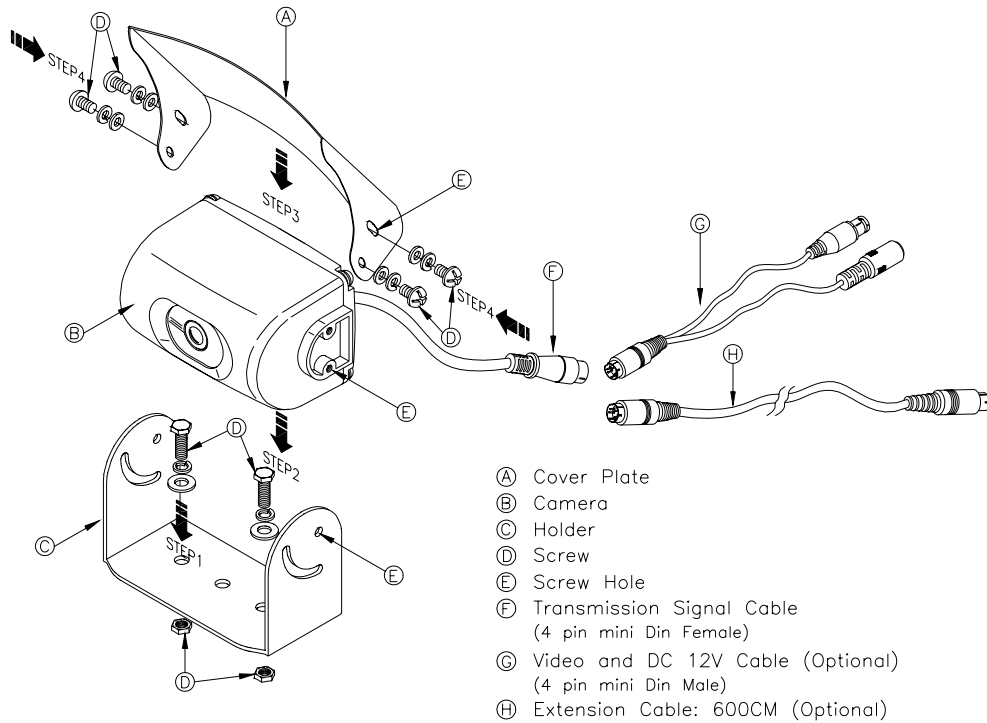
ITEMS	HTC-78A	HTC-79A
PICK UP DEVICE	1/3" CCD image sensor	
PICTURE ELEMENTS H * V	NTSC:512 * 492 - PAL:512 * 582	NTSC:771 * 492 - PAL:753 * 582
HORIZONTAL RESOLUTION	More than 400 TV Lines	More than 540 TV Lines
HORIZ. SYNC.FREQUENCY	EIA:15.750kHz. - CCIR:15.625 kHz	
SCANNING SYSTEM	2:1 INTERLACE	
SENSITIVITY	1Lux	2Lux
SYNCHORIZATION	INTERNAL	
S/N RATIO	More than 48 dB	
ELECTRONIC SHUTTER	Up TO 1/100,000 sec. (Linear) Auto	
GAMMA	0.45	
LENS	f 3.6mm / F2.0(standard)	
VIDEO OUTPUT	1 Vpp,75 Ohms	
AUTO GAIN CONTROLL	AUTO	
POWER SUPPLY	12 VDC (+/- 10%)	
POWER CONSUMPTION	215mA	235mA
WEIGHT gr	700	
STORAGE TEMPERATURE	-30 to + 60 Degree C	
OPERATING TEMPERATURE	-10 to + 50 Degree C	

*SPECIFICATIONS ARE SUBJECT TO CHANGE WITHOUT NOTICE.

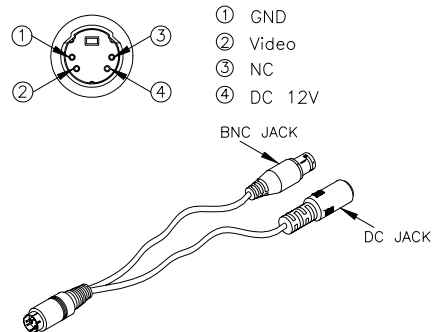
CONNECTIO N

1. Using the screws to fix the Holder on wall, housing, etc.
2. Connection of the Holder and Camera.
3. Mounting Cover Plate of the Camera.
4. Screwing the screws to fix the Cover Plate. Holder and camera.
5. (a) For monitor with BNC connector--
Connection of the Transmission Signal Cable and Video +DC12V Cable(Optional).
- (b) For monitor with 4 pin mini din connector--
Connection of the Transmission Signal Cable and Extension Cable(Optional).

LOCATIONS . PARTS NAME &ACCESSORIES



Transmission Signal Cable
(4 pin mini Din Female)



Video and DC 12V Cable
(4 pin mini Din Male)