

HTC-11GWD28D

COLOR WD VANDAL DOME CAMERA

The Color DOME camera HTC-11GWD28D incorporates advanced 1/3" super wide dynamic range CMOS Sensor and PIXIM Digital Pixel System (DPS) circuit.

DPS technology uses a technique known as "multi-sampling" to gather the information to achieve unmatched image quality and high dynamic range. Each pixel is independently sampled non-destructively multiple times in a single capture frame.

Features:

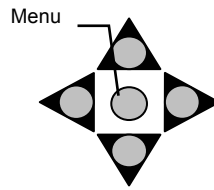
- ★ 540 TVL color enhanced super high resolution
- ★ Minimum illumination of 0.5 LUX and signal-to-noise ratio of 50db enhanced with super wide dynamic range sensor and DPS.
- ★ High quality picture- a digital signal processor performs digital horizontal and vertical aperture enhancement to produce high-resolution picture
- ★ Smart digital control auto BLC, the combination of Histogram Equalizer and Central Window Weighting BLC functions ensure for use against any unusual lighting conditions
- ★ Advanced Auto Exposure System for both fixed iris and auto iris lenses control the amount of light to ensure it is always optimized
- ★ Sharp performance operating under harsh lighting environments, special lighting can be neglected for quick and easy installation

Specification

Item No.	HTC-11GWD28D	
Image sensor	1/3" CMOS image sensor with DPS	
Signal system	PAL	NTSC
Picture elements	720 H x 540 V	720 H x 540 V
Advanced Sync System	Internal / External automatic	
Resolution	540 TV Lines	
Minimum illumination	0.5 LUX at F1.2 (0.008LUX at slow shutter)	
S / N ratio	50db	
Control Method	OSD control (keypad controller included)	
Camera ID	12 Character generator	
System	NTSC / PAL selectable	
Light control	Adjust the light gain of AES / AIS modes	
Synchronization	Internal / External	
White Balance	Auto 2000 to 11000k	
White Balance Methods	ATW / AWC / Fix(Zero Color Rolling)	
Gain	AGC On/ Off	
Dynamic Range	101dB typical/ 120dB max	
IP ratio	IP66	
Video output signal	Composite: 1.0 V p-p at 75Ω load	
Lens selection	3.0-12mm F1.3 DC A.I lens	
Operating temperature	-45°C to 45°C	
Power source	DC 12V / AC 24V	
Power consumption	3W at auto iris mode	
Dimension	155x102(H)mm	
Net Weight	700g	

***SPECIFICATIONS ARE SUBJECT TO CHANGE WITHOUT NOTICE

OSD MENU



Up Button:

This button is used to move the cursor upwards. Use this button to select an item or adjust the parameters.

Down Button:

This button is used to move the cursor downwards. Use this button to select an item or adjust the parameters.

Right Button:

This button is used to move the cursor to the right. Use this button to select or adjust the parameters of the select item. The parameter changes each time as this button is pressed.

Left Button:

This button is used to move the cursor to the left. Use this button to select or adjust the parameters of the select item. The parameter changes each time as this button is pressed.

Menu Button:

This button is used to set the determined parameters. If the item has its own setting menu, press the button to display the setting menu. Press this button for 2 seconds the menu screen will appear. Hold this button for another 2 seconds and any writing on the screen will disappear.

OSD Menu Options

- **LANGUAGE**
<ENGLISH/ CHINESE>

- **WDR SETUP**
<AUTO/ HIGH/ LOW / **CUSTOM..**>
 - BIAS
<-36~36 adjustable, 0 default>
 - LIMIT
<0~36 adjustable, 32 default>
 - PREVIOUS PAGE

- **BASIC SETUP..**
 - VIDEO SIGNAL..**
 - VIDEO FORMAT
<PAL/NTSC>
 - VIDEO LEVEL
<80~150 adjustable; 110 default>
 - PREVIOUS PAGE

 - MIRROR**
<OFF/ HORIZONTAL/ VERTICAL/ BOTH>

 - IMAGE ADJUST..**
 - GAMMA MODE
<AUTO/**MANUAL..**>
 - GAMMA
<25~ 100 adjustable; 30 default>
 - PREVIOUS PAGE
 - SHARPNESS

<-8~8 adjustable; 0 default>
SATURATION
<-8~8 adjustable; 0 default>
PREVIOUS PAGE

TITLE..
DISPLAY
<ON/OFF>
TITLE
<8 characters max; CAMERA_1 default>
POSITION
<UP-LEFT/ UP-CENTER/ UP-RIGHT/ DOWN-LEFT/ DOWN-RIGHT>
PREVIOUS PAGE

LENS SELECT..
<MANUAL/ DC..>
GAIN
<0~255 adjustable; 120 default>
AI TRESHOLD
<-42~60 adjustable; -42 default>
PREVIOUS PAGE

SYNC
<INT 1/ INT 2/ L.L..>
PHASE
<0~624 adjustable; 519 default>
PREVIOUS PAGE

PREVIOUS PAGE

● **EXPOSURE..**

WHITE BALANCE
<ATW/ ATW EXTEND/ AWB../ MANUAL...>*
AWB
<CANCEL/ SAVE>
**** WARNING****Current WB Properties will be written to ROM

MANUAL
RED
<-20~20 adjustable; -18 default>
BLUE
<-20~20 adjustable; 13 default>
PREVIOUS PAGE

AE PREFs
<HIGHLIGHT/ SHADOW>

GAIN SETUP
<MEDIUM/ LOW/ HIGH/ CUSTOM..>
BIAS
<-18~18 adjustable; 0 default>
LIMIT
<0~60 adjustable; 31 default>
PREVIOUS PAGE

LOW LIGHT
<SLOW SHUTTER../ GAIN>
SHUTTER SPEED
<x2/ x4/ x8/ x16/ x32>
PREVIOUS PAGE

PREVIOUS PAGE

● **ADVANCED SETUP..**

ZONE EXPOSURE..
METER MODE
<FOREGROUND/BACKGROUND>
F.G PRESETS
<MOST SCREEN/ CENTER SPOT/ LOWER 1/3/ FULL SCREEN>
F.GROUND ZONES..
ENABLE ZONES
<ONLY 1/ ONLY 2/ ONLY 3/ ONLY 4>

ADJUST ZONE 1
ADJUST ZONE 2
ADJUST ZONE 3
ADJUST ZONE 4
PREVIOUS PAGE

B.GROUND ZONES..

ADJUST ZONE 1
ADJUST ZONE 2
ADJUST ZONE 3
ADJUST ZONE 4
PREVIOUS PAGE

PREVIOUS PAGE

PRIVACY MASK SETUP..

PRIVACY MASK
<OFF/ **ON..**>
MASK 1~ 12
<OFF/ **ON..**>
PREVIOUS PAGE

MASK COLOR
<WHITE/ BLACK/ RED>
PREVIOUS PAGE

PREVIOUS PAGE

- **SAVE/ DEFAULT**
<SAVE/ DEFAULT>
- **EXIT MENU**

Note:

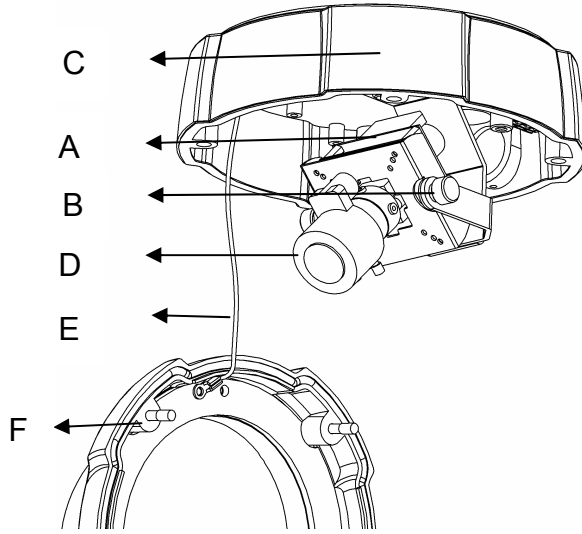
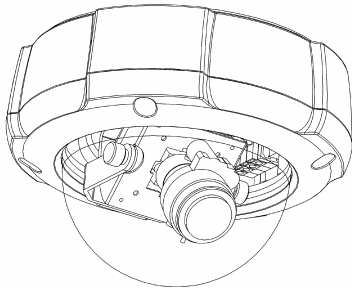
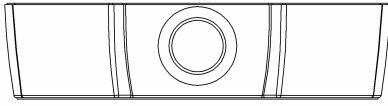
1. Zone adjustment method:

By pressing MENU button, user can switch between below functions:
White frame: use arrow keys on keypad to **move** the zone.
Green frame: use arrow keys on keypad to **increase** the zone.
Red frame: use arrow keys on keypad to **decrease** the zone.
Hold MENU button 2 seconds to return to previous screen.

2. Privacy Mask adjust method:

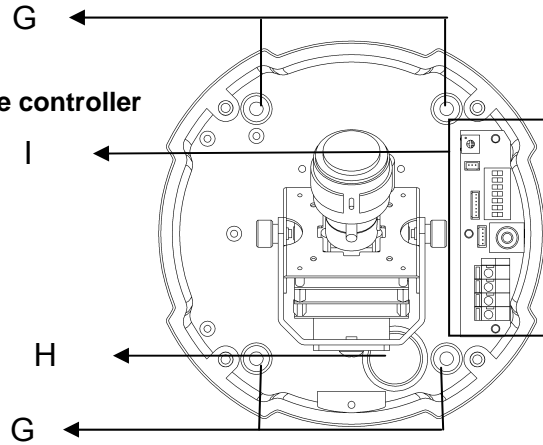
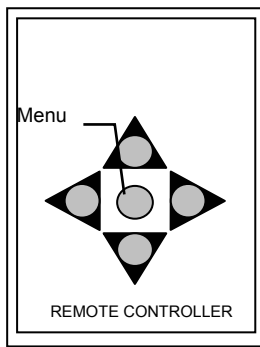
By pressing MENU button, user can switch between bellow functions:
White box: use arrow keys on keypad to **move** the zone.
Blue box: use arrow keys on keypad to **increase or decrease** the zone.
Hold MENU button 2 seconds to return to previous screen.

Name of Parts and Functions



- A. Camera
- B. Bracket
- C. Bottom housing
- D. Varifocal lens
- E. Safety string

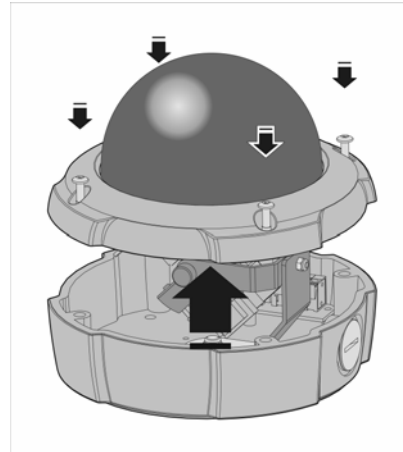
- F. Upper housing
- G. Screw hole
- H. Cable hole
- I. Control board, WD model is using **remote controller**



Installation Procedure

Step 1: Removing dome cover

Remove dome cover from the main body by loosening the four dome cover mounting screws.

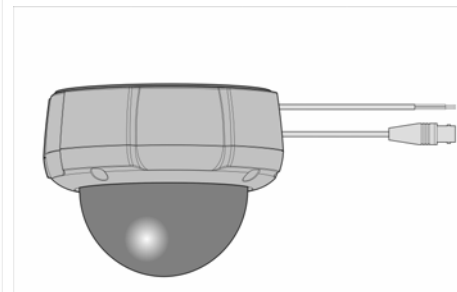
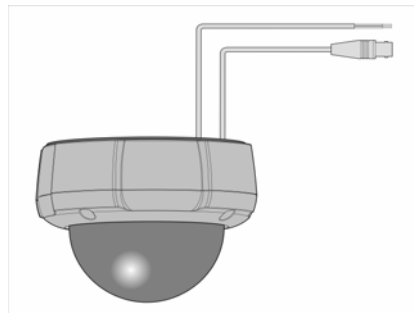


Step 2: Securing camera

Place mounting plate sticker at position which the camera will be mounted and fix the screw holder

Step 3: Cable arrangement

The right side connection should be made by qualified service person or system



installers. It is necessary to make sure that the cable hole has been protected with waterproof installation process when the cable connect from the side by metal pipe which is G1/2 format

Step 4: Adjust 3 Axes bracket

Horizontal angle adjustment – by turning the platform to adjust the horizontal angle 180 degrees:360 degrees

Vertical angle adjustment – by turning the platforms to adjust the vertical angle: 90 degrees

Step 5: Reinstall the dome cover to the main body by tighten four dome cover mounting screws

