

HTC-5AH2810D 15M IR COLOR CAMERA

**1/3" color Hi Resolution
15M IR Color Camera
With Vari Focal Lens**



MAIN FEATURES

This product is a CCD CAMERA and incorporates advanced 1/3" high performing CCD Sensor and digital signal circuit.

The main features of HTC-5AH2810D includes high quality images Up to 520 TV Lines with **Aspherical D/N Lens**, focus of lens is adjusted by **External Controller** with Removable IR cut filter and built in IR LEDs for night application.

PRECAUTIONS

1. HTC-5AH2810D has to be installed by the assigned engineer or the specific installer.
2. Please DO NOT take apart the camera. The caused damage will not include within the warranty condition.
3. Notice the storage and placed position of the camera to avoid unnecessary damage.
4. If the camera body has to be cleaned, please use the dry cloth. Meanwhile, to have no alternative, use the lens tissue with the specific detergents to remove the dust or dirty on the lens.

V1.0

PACKAGE CONTENT

After un-pack the case, please check the following items are contained inside. (Figure 1)

There are:

- The HTC-5AH2810D camera base with the shield... 1 SET (A)
- The camera bracket... 1 SET (D)
- Plastic Anchor... 3 PCS (E)
- Flat Head Self-Tapping Screw... 3 PCS (F)

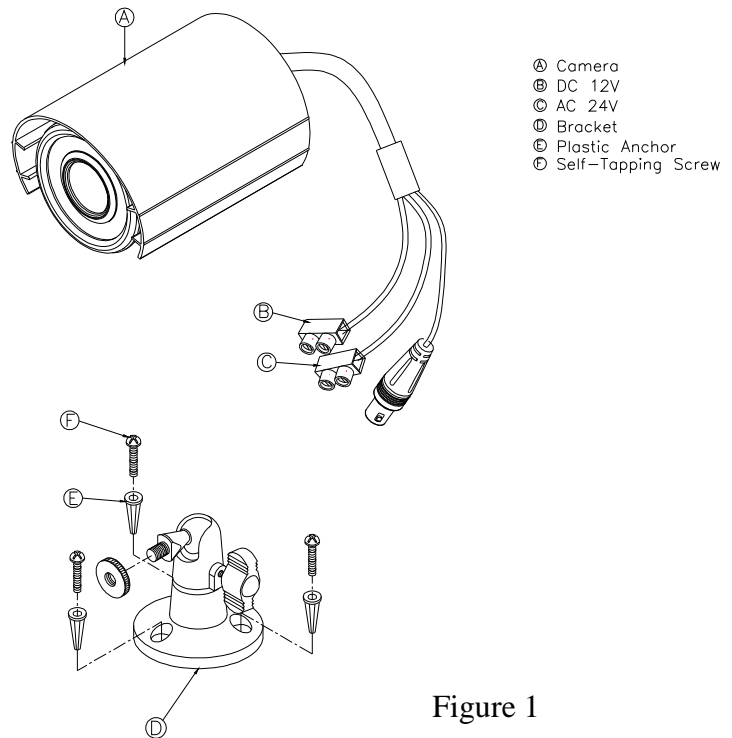


Figure 1

THE PROCESS OF WALL MOUNT INSTALLATION

Note: The camera could be fixed not only on the wall, but also on the ceiling.

1. Insert 3 plastic anchors into the wall or ceiling where the position fit for the screw hole of the bracket, then use the Flat Head Self-Tapping screw to fix the bracket itself. (Figure 2)

Combine the camera and the bracket where is displayed in Figure 3, then fasten the camera holding screw.

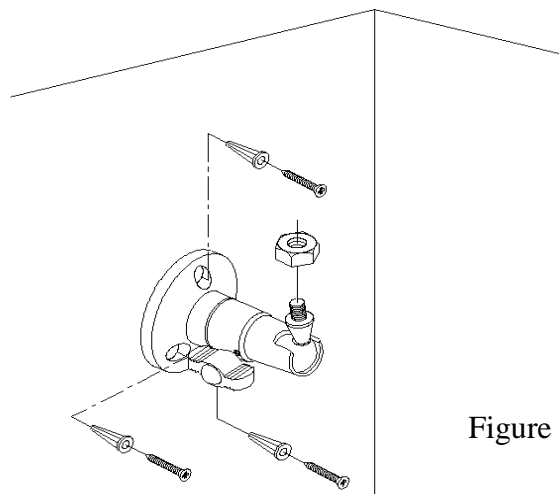


Figure 2

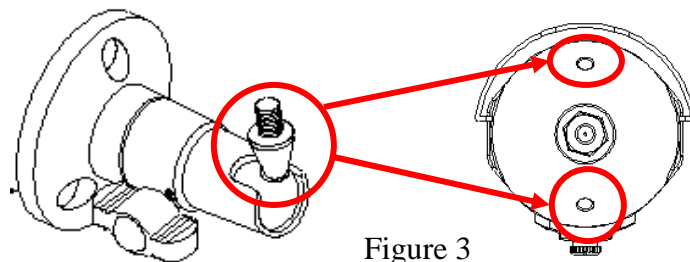
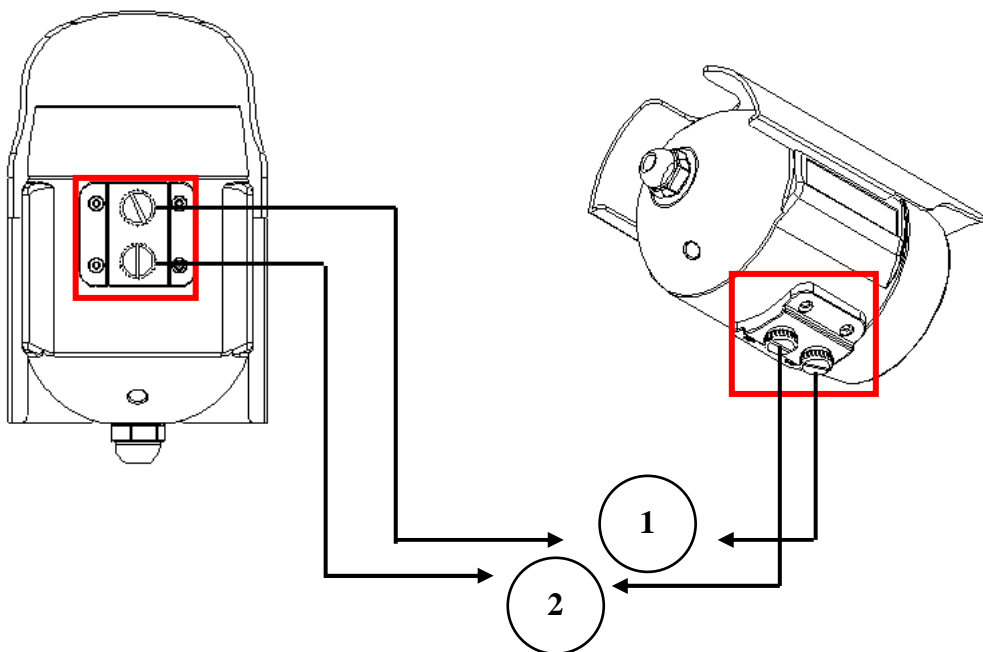


Figure 3

CAMERA ADJUSTMENTS

Notice: The most dramatic characteristic of HTC-5AH2810D is its external controller. Contrasted with other IR camera, which has complex adjusting procedure of lens, HTC-5AH2810D provides this convenient function (external controller) to adjust the ZOOM and FOCUS of lens easily.

- Using the Flat-Head screw driver to adjust ZOOM first, and then change the FOCUS which is shown in the following to complete the adjustment.
- Please obey the order of above mentioned adjustment. Otherwise, the adjustment is invalidly.



Statement:

- **1** is **FOCUS** adjustment position
- **2** is **ZOOM** adjustment position

SPECIFICATIONS

ITEMS	HTC-5AH2810D (External Controller)	
Pick Up Device	1/3" CCD Image Sensor	
System	NTSC	PAL
Picture Elements H*V	768 × 494	752 × 582
H. Sync. Frequency	15.734KHz	15.625KHz
V. Sync. Frequency	59.94Hz	50Hz
Horizontal Resolution	520 TV Lines	
Scanning System	2:1 Interlace	
Sensitivity	0 Lux when IR is On	
Synchronization	Internal	
S/N Ratio	More Than 48 dB (AGC Off)	
Back Light Compensation	Auto	
Electronic Shutter	Auto; Range 1/50(1/60) Up to 1/100,000 sec.	
Gain Control	Auto	
Gamma	0.45	
Lens	2.8~10mm Vari-Focal Day & Night Lens	
Led	18 Unit 850nm infrared LED, 10000hrs	
IR Distance	15M	
Day/Night ON	Auto; >5 Lux, Image is Color; <3 Lux, Image is B/W	
IR ON	<3 Lux B/W	
IR Cut Filter Change	IR Cut Removable Filter	
Video Output	1 Vpp, 75 Ohms	
Weather Proof IP Rating	IP 66	
Power Supply	Dual voltage, DC 12V / AC 24V	
Dimension (W*H*D) mm	83*71*115	
Weight	550g	
Storage Temperature	-30 To + 60 °C	
Operating Temperature	-10 To + 45 °C	

***Specifications are subject to change without notice**