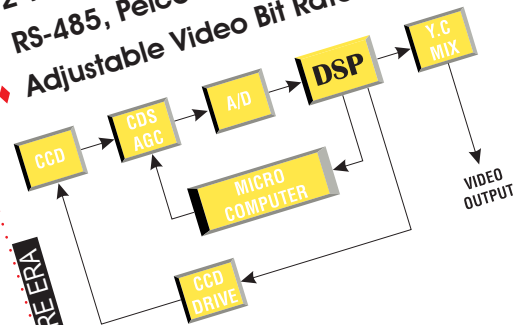




HTP-T2M1000ISWBH

H.264 2.0 MEGAPIXEL PTZ IP CAMERA

- ◆ 2.0 MP 1/2.5" CMOS Image Sensor
- ◆ Multistream up to 1920x1080 @ 30FPS
- ◆ Dual-codec streaming (H.264 & MJPEG)
- ◆ 10x Optical Zoom, 12x Digital Zoom Lens
- ◆ PoE (Power Over Ethernet) 802.3af
- ◆ 2-Way Audio
- ◆ RS-485, Pelco-D, Pelco-P
- ◆ Adjustable Video Bit Rate: 32kbps ~ 8Mbps



BUILDING A NEW SECURE ERA

HTZ-T2M1000ISWBH Specification

Section		Specification	
Network	Network Interface	Ethernet 10/100Base-T (RJ-45)	
	Network Protocol	TCP/IP, UDP, Multicast, DHCP, SMTP, HTTP, SNMP, RTP, RTSP	
Camera	Image Sensor	2.0M CMOS Image Sensor	
	Focal Length	F1.8 ~ F2.1, f=5.1mm~51mm	
	Zoom	x10 Optical Zoom and x12 Digital Zoom	
	Focus Position	∞ ~ 1cm	
	Angle of View	Horizontal : 50(Wide) ~ 5.4(Tele)	
	Minimum Illuminance	1.0 Lux (B/W), F1.8 with 50 IRE	
	S/N Ratio	50 dB or more	
	AE Mode	Auto, Manual, Bright, Shutter Priority, Iris Priority, Spot	
	IRIS Control	Auto / Manual (F1.8 ~ F26, Close)	
	Gain Control	Auto / Manual (-3 ~ 18dB)	
	Shutter Control	Auto / Manual (1/2 ~ 1/10,000 sec)	
	White Balance	Auto / Manual (Red, Blue Gain Adjustable)	
	DSS Limit	1/60 ~ 1/2 or 1/50 ~ 1/2	
	Day & Night	Auto / Day / Night (ICR)	
	BLC	Auto / Manual	
Pan/Tilt	Aperture Control	16 steps	
	Range	Pan : 360°(Endless)/ Tilt: 90°	
	Pan/Tilt Speed	Preset	360°/sec
		Manual	0.05° ~ 360°/sec (Zoom Proportional)
		Swing	1.4°~180° /sec
	Preset	128 Presets	
	Pattern	4 Patterns (Approx. 5 Minutes for Each Pattern)	
	Swing	8 Swings	
Group	8Groups (MAX. 20 Entries for Each Group)		
Other Functions	Auto Flip, Auto Parking, Power-up Action & etc		
Video	Standards	Main Stream: H.264 Secondary Stream: H.264/MJPEG	
	Output	1 x Composite (BNC type) or 1 x HD-SDI (BNC type) (Choose one option)	
	Resolution	1920x1080 ~ 352x240, 18 resolution steps	
	Max Frame Rate	H.264/MJPEG: 30fps @ all resolutions	
	Bitrate	32Kbps ~ 8Mbps	
Audio	Algorithm	G.711/AAC	
	Input	1 x Line-In (Mini-stereo, Single Mono)	
	Output	1 x Line-Out (Mini-stereo, Single Mono)	
	Sample Rate	G.711: 8KHz, AAC: 32KHz	
Serial Port	Port	RS-485 for PTZ control	
	Protocol	Pelco-D, Pelco-P	
Sensor/Alarm/etc	Sensor Input	2 x Photo-Coupler Input	
	Alarm Output	2 x Relay Output (Normal Open)	
	Reset Button	Factory Reset Button	
Software	True NVR/CMS	Live Monitoring, Recording, Search & Playback, Backup	
Physical	Mount Bracket	Wall Mount or Ceiling Mount (Option)	
	Dimension	Dome	\varnothing 150mm / \varnothing 5.9"
		Housing	185(\varnothing) x 193.5(H)mm / 7.3"(\varnothing) x 7.6"(H)
	Weight	Approx. 3.8Kg / 8.4Lbs (Wall) Approx.3.2kg / 7.0Lbs (Ceiling)	
	Material	Dome : Poly Carbonate / Housing : Aluminum	
	Power Source	DC 12V/3A	
	Power Consumption	Max 36W	
	Waterproof	IP 67	
Fan	Always ON		
Operating Temp.	-30°C ~ 60°C / -34°F ~ 140°F		