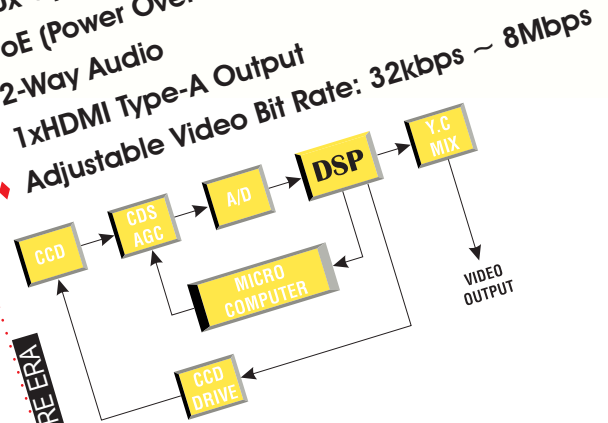




HTP-T2M10Z

H.264 2.0 MEGAPIXEL DAY/NIGHT IP CAMERA

- ◆ 2.0 MP 1/2.5" CMOS Image Sensor
- ◆ Multistream up to 1920x1080 @ 30FPS
- ◆ Dual-codec streaming (H.264 & MJPEG)
- ◆ 10x Optical Zoom, 10x Digital Zoom Lens (Built-In)
- ◆ PoE (Power Over Ethernet) 802.3af
- ◆ 2-Way Audio
- ◆ 1xHDMI Type-A Output
- ◆ Adjustable Video Bit Rate: 32kbps ~ 8Mbps



BUILDING A NEW SECURE ERA

HTP-T2M10Z Specification

Section		Specification
Network	Network Interface	Ethernet 10/100Base-T (RJ-45)
	Network Protocol	TCP/IP, UDP, Multicast, DHCP, SMTP, HTTP, SNMP, RTP, RTSP
Camera	Image Device	1 / 2.5" CMOS (Progress Scan)
	Lens Diameter	1 / 3.6"
	Focal Length	F1.8 ~ F2.2 / f=4.5mm ~ 45.0mm
	Zoom	X10 Optical Zoom and X10 Digital Zoom
	Zoom Preset	15 Presets
	MIN. Illuminance	Color : 2.2 Lux, Night : 1.8 Lux (B/W) @ 50 IRE
	Motion Image Stabilizer	On / Off
	BLC	On / Off
	Image Flip	Vertical Flip (On/Off) / Horizontal Flip (On/Off)
	Flickerless	On / Off
	Metering	Center-Weighted / Spot / Evaluation
	Exposure Mode	Manual / Auto / Aperture Priority / Shutter Speed Priority
	Brightness	-2.0 EV ~ 2.0 EV
	Focus Range	Full / Normal
	Zoom Tracking	On / Off
	White Balance Index	Auto / Indoor / Outdoor
	Image Sharpness	High / Middle / Low
	DNR	High / Middle / Low / Off
	Chroma CR/CB	High / Middle / Low
Hue CR/CB	-2.0 ~ +2.0	
Video	Algorithm	Primary : H.264 Secondary : H.264 / M-JPEG (Simultaneous Dual)
	Resolution	1920 X 1080, 1280 x 720, 1680 x 1050, 1600 x 900, 1440 x 900, 1280 x 1024, 1280 x 960, 1024 x 768, 800 x 600, 640 x 480, 352 x 288, 352 x 576, 720 x 288, 720 x 576, 352 x 240, 352 x 480, 720x 240, 720 x 480 (18 Resolution Modes Selectable)
	Frame Rate	1 FPS ~ 30 FPS Selectable
	Bit Rate	32K BPS ~ 8M BPS Selectable
	Output	1xHDMI type A, HDMI TX
	Audio	Algorithm
Audio	Sample Rate	8K Hz
	Bit Rate	64K BPS
	Input	Line-In(Mini-Stereo, Single Mono) : 1 EA
	Output	Line-Out(Mini-Stereo, Single Mono) : 1 EA
	Port	RS-485 : 1 Port
Sensor In/Out	Baud Rate	2,400 BPS ~ 115,200 BPS Selectable
	Sensor Input	1 Input (Normal Open Contact)
	Alarm Output	1 Output (Normal Open Contact)
	Others	Dimension
Others	Weight	512g / 1.1 lbs (Without a Bracket)
	Power	DC 12V, 0.5A / PoE (802.3af)
	Power Consumption	MAX. 6W
	Operation Temperature	-10°C ~ 50°C / 14°F ~ 122°F

Specification & Design are subject to change without prior notice.