



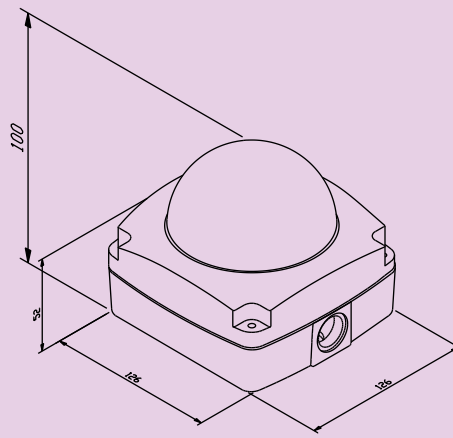
HTC-10E SERIES



## VANDAL DOME CAMERA

- ◆ Intelligent design-Fit for either wall or ceiling mount application
- ◆ Vandal resistance
- ◆ Water resistance
- ◆ Full Digital process of BLC
- ◆ 2H Mode of H.V. aperture correction
- ◆ Digital process of color Matrix
- ◆ 24VAC with isolated line lock

BUILDING A NEW SECURE ERA



### SPECIFICATIONS

ITEMS	MONOCHROME
PICK UP DEVICE	1/3" CCD image sensor
PICTURE ELEMENTS	NTSC (EIA) 510 x 492, PAL (CCIR) 512 x 582 Medium Resolution
PICTURE ELEMENTS	NTSC (EIA) 771 x 494, PAL (CCIR) 753 x 582 High Resolution
H. SYNC FREQUENCY	NTSC / EIA 15.734 K Hz, PAL / CCIR 15.625 K Hz
SYNCHRONIZATION	Line-lock / AC type
V. FREQUENCY	NTSC / EIA 60 Hz, PAL / CCIR 50 Hz
H. RESOLUTION TV-LINE	420 / 580 Hi-Res
B. LIGHT COMPENSATION	ON/OFF Switch
AUTO GAIN CONTROL	Automatic
ELECTRONIC SHUTTER	ON/OFF Switch Range : 1/50 (1/60) ~ 1/100.000 sec
AUTO IRIS MODE	DC drive
APERTURE CORRECTION	1H mode enhancement
WHITE BALANCE	None
POWER CONSUMPTION	3W / 3.5W Hi-Res
GAMMA CORRECTION	0.45
S/N RATIO	More than 48 dB
LINE-LOCK	With 270 degree V phase adjustment
VIDEO OUTPUT	1 Vp-p, 75 Ohms composite
POWER SUPPLY	24 VAC,
DIMENSIONS	H97* $\phi$ 137
WEIGHT g	740
STORAGE TEMPERATURE	-30°C TO +60°C
OPERATING TEMPERATURE	-10°C TO +45°C

*Specifications are Subject to Change without Notice.*



**One More Eye  
to Ensure  
Your Security**



Model Number	DAY/NIGHT	Color	Monochrome	Hi-Res.	Medium Res.	AC	Focal Lens	Auto iris DC Dr.	Manual Lens	Line Lock	Sensitivity	IR Sensitive
HTC-10E636			Y	Y		Y	3.6mm			Y	0.1	Y
HTC-10E648M			Y	Y		Y			3.5-8.0mm	Y	0.1	Y
HTC-10E648D			Y	Y		Y		3.5-8.0mm		Y	0.1	Y
HTC-10E336			Y		Y	Y	3.6mm			Y	0.01	Y
HTC-10E348M			Y		Y	Y			3.5-8.0mm	Y	0.01	Y
HTC-10E348D			Y		Y	Y		3.5-8.0mm		Y	0.01	Y



**HUNT ELECTRONIC USA, INC.**

Hunt Electronic is registered trademark of Hunt Electronic USA Incorporated, 2002 All rights reserved.

<http://www.huntcctv.com>