



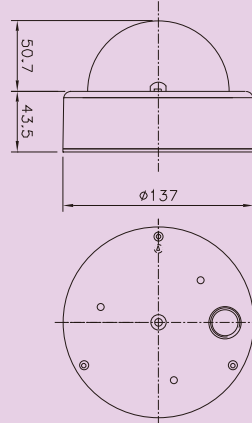
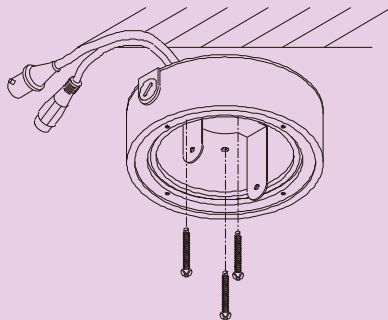
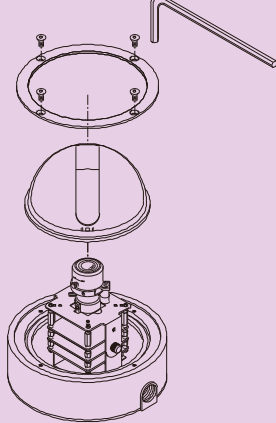
HTC-11 SERIES

VANDAL DOME CAMERA

- ◆ Vandal resistant
- ◆ Water resistant
- ◆ Full digital process of BLC
- ◆ Electronic Shutter up to 1/100,000
- ◆ Vari-focal Auto iris lens
- ◆ 24VAC with line lock



BUILDING A NEW SECURE ERA



SPECIFICATIONS

ITEMS	MONOCHROME
PICK UP DEVICE	1/3" CCD image sensor
PICTURE ELEMENTS	NTSC (EIA) 510 x 492, PAL (CCIR) 512 x 582 Medium Resolution
PICTURE ELEMENTS	NTSC (EIA) 771 x 494, PAL (CCIR) 753 x 582 High Resolution
H . SYNC FREQUENCY	NTSC / EIA 15.734 K Hz, PAL / CCIR 15.625 K Hz
SYNCHRONIZATION	Line-lock / AC type
V. FREQUENCY	NTSC / EIA 60 Hz, PAL / CCIR 50 Hz
H. RESOLUTION TV-LINE	420 / 580 Hi-Res
B. LIGHT COMPENSATION	ON/OFF Switch
AUTO GAIN CONTROL	Automatic
ELECTRONIC SHUTTER	ON/OFF Switch Range : 1/50 (1/60) ~ 1/100.000 sec
AUTO IRIS MODE	DC drive
APERTURE CORRECTION	1H mode enhancement
WHITE BALANCE	None
POWER CONSUMPTION	3W / 3.5W Hi-Res
GAMMA CORRECTION	0.45
S/N RATIO	More than 48 dB
LINE-LOCK	With 270 degree V phase adjustment
VIDEO OUTPUT	1 Vp-p, 75 Ohms composite
POWER SUPPLY	24 VAC,
DIMENSIONS	H97*φ137
WEIGHT g	740
STORAGE TEMPERATURE	-30°C TO +60°C
OPERATING TEMPERATURE	-10°C TO +45°C

Specifications are Subject to Change without Notice.



**One More Eye
to Ensure
Your Security**



Model Number	Color	Monochrome	Hi-Res.	Medium Res.	AC	Focal Lens	Auto iris DC Dr.	Manual Lens	Line lock	Sensitivity
HTC-11636		Y	Y		Y	3.6mm			Y	0.1
HTC-11648M		Y	Y		Y			4.0-8.0MM	Y	0.1
HTC-11648D		Y	Y		Y		4.0-8.0MM		Y	0.1
HTC-11336		Y		Y	Y	3.6mm			Y	0.01
HTC-11348M		Y		Y	Y			4.0-8.0MM	Y	0.01
HTC-11348D		Y		Y	Y		4.0-8.0MM		Y	0.01



HUNT ELECTRONIC USA, INC.

Hunt Electronic is registered trademark of Hunt Electronic USA Incorporated, 2002 All rights reserved.

<http://www.huntcctv.com>