

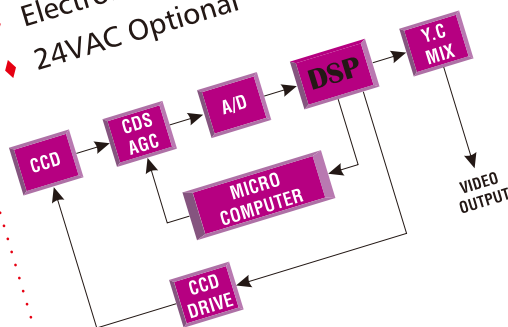
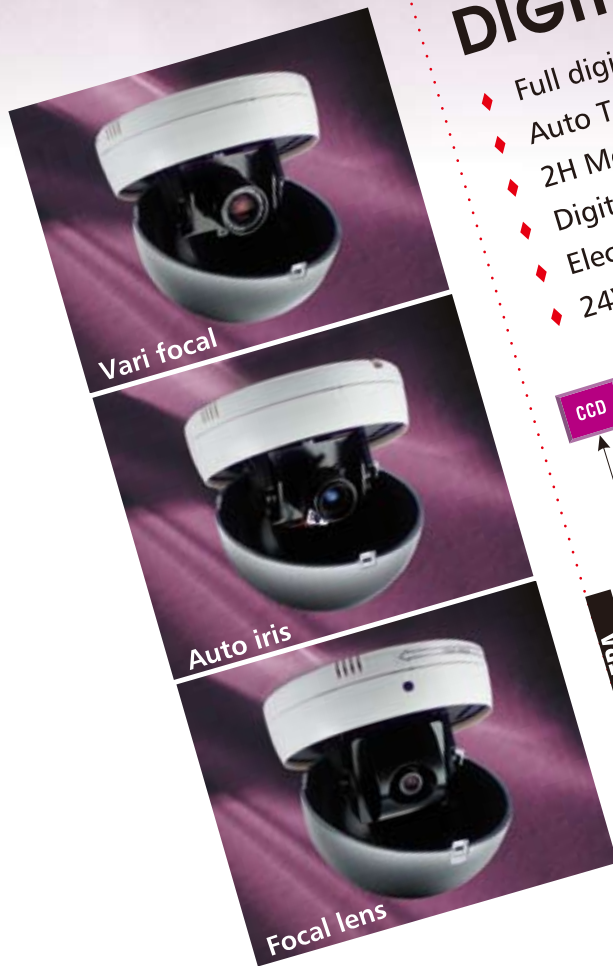
INTELLIGENT
DESIGN
Patent No. :117542



15 SERIES

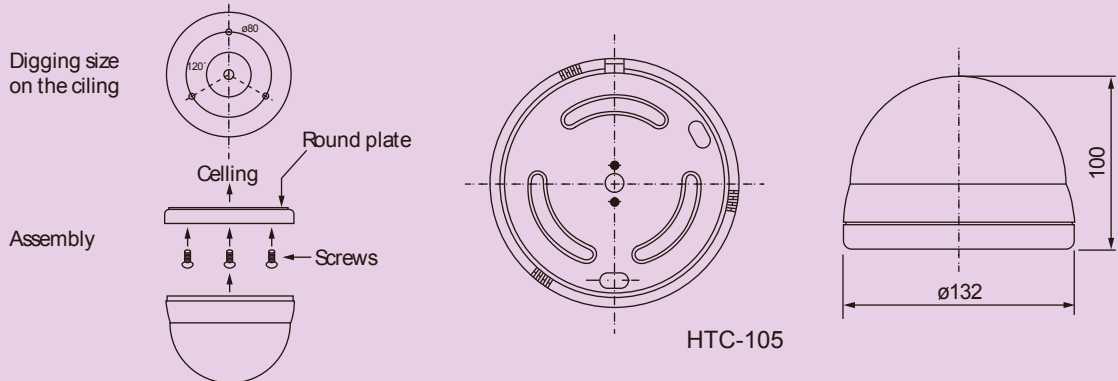
DIGITAL DOME CAMERA

- ◆ Full digital process of BLC
- ◆ Auto Tracing White Balance
- ◆ 2H Mode of H.V. aperture correction
- ◆ Digital process of color matrix
- ◆ Electronic Shutter up to 1/100,000
- ◆ 24VAC Optional



BUILDING A NEW SECURE ERA

Digital
Processing



SPECIFICATIONS

ITEMS	COLOR
PICK UP DEVICE	1/3" CCD image sensor
IMAGE SIZE HXVmm	3.64 x 482
PICTURE ELEMENTS	NTSC (EIA) 510 x 492, PAL (CCIR) 512 x 582 Medium Resolution
PICTURE ELEMENTS	NTSC (EIA) 771 x 494, PAL (CCIR) 753 x 582 High Resolution
H . SYNC FREQUENCY	NTSC / EIA 15.734 K Hz, PAL / CCIR 15.625 K Hz
SYNCHRONIZATION	Internal / DC type, Line-lock / AC type
V. FREQUENCY	NTSC / EIA 60 Hz, PAL / CCIR 50 Hz
H. RESOLUTION TV-LINE	400 / 540 Hi-Res
B. LIGHT COMPENSATION	ON/OFF Switch
AUTO GAIN CONTROL	ON/OFF Switch
ELECTRONIC SHUTTER	ON/OFF Switch Range : 1/50 (1/60) ~ 1/100.000 sec
AUTO IRIS MODE	DC/VIDEO drive Switch
APERTURE CORRECTION	2H mode enhancement
WHITE BALANCE	Auto trance white balance
POWER CONSUMPTION	220mA / 240mA Hi-Res at 12 DC V
POWER CONSUMPTION	4W / 4.5W Hi-Res at AC power
GAMMA CORRECTION	0.45
S/N RATIO	More than 48 dB
LINE-LOCK	With 270 degree V phase adjustment
VIDEO OUTPUT	1 Vp-p, 75 Ohms composite
POWER SUPPLY	12 VDC , 24/ 110/220/240 VAC ±10% optional
DIMENSIONS	5" ø
WEIGHT g	DC 320 AC 380
STORAGE TEMPERATURE	-30°C TO +60°C
OPERATING TEMPERATURE	-10°C TO +45°C

Specifications are Subject to Change without Notice.



One More Eye to Ensure Your Security



Model Number	Color	Monochrome	Hi-Res.	Medium Res.	DC	AC	Focal Lens	Auto iris DC Dr.	Manual Lens	Line lock	Sensitivity
HTC-105E	Y		Y		Y		Y				0.05
HTC-105A	Y			Y	Y		Y				1



HUNT ELECTRONIC USA, INC.

Hunt Electronic is registered trademark of Hunt Electronic USA Incorporated, 2002 All rights reserved.

<http://www.huntcctv.com>