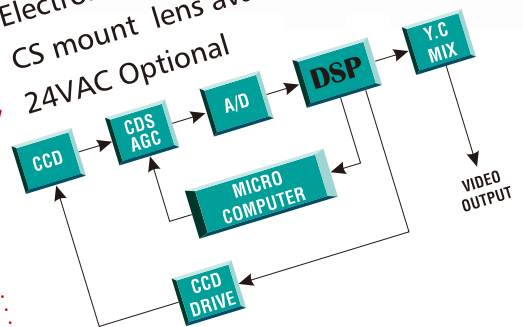


200 Series

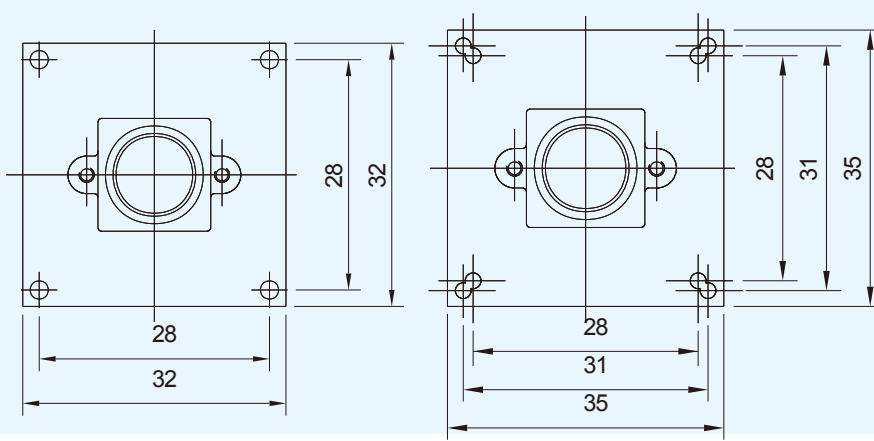


BOARD CAMERA

- ◆ Full digital process of BLC
- ◆ Auto Tracing White Balance
- ◆ 2H mode of H.V. aperture correction
- ◆ Digital process of color matrix
- ◆ Electronic Shutter up to 1/100,000
- ◆ CS mount lens available
- ◆ 24VAC Optional



BUILDING A NEW SECURE ERA



SPECIFICATIONS

ITEMS	COLOR
PICK UP DEVICE	1/4", 1/3" CCD image sensor
IMAGE SIZE H x V mm	1/4" 3.61 x 2.72, 1/3" 3.64 X 4.82
PICTURE ELEMENTS	NTSC (EIA) 510 x 492, PAL (CCIR) 512 x 582 Medium Resolution
PICTURE ELEMENTS	NTSC (EIA) 771 x 494, PAL (CCIR) 753 x 582 High Resolution
H . SYNC FREQUENCY	NTSC/EIA 15.734 K Hz, PAL/CCIR 15.625 K Hz
SYNCHRONIZATION	Internal, Line-lock / For AC type (option)
V. FREQUENCY	NTSC/EIA 60 Hz, PAL/CCIR 50 Hz
H. RESOLUTION TV-LINE	400 / 540 Hi-Res
SENSITIVITY	1 Lux / 0.05 Lux Hi-Res
WHITE BALANCE	Auto trace white balance
B. LIGHT COMPENSATION	Automatic
AUTO GAIN CONTROL	Automatic
ELECTRONIC SHUTTER	Automatic Range: 1/50 (1/60) ~ 1/100.000 sec
POWER CONSUMPTION	220mA / 240mA Hi-Res
APERTURE CORRECTION	2 H mode enhancement
GAMMA CORRECTION	0.45
S/N RATIO	More than 48 dB
VIDEO OUTPUT	1 Vp-p, 75 Ohms composite
POWER SUPPLY	12 VDC
DIMENSIONS W x H x D mm	Two fold boards for color
WEIGHT g	100
STORAGE TEMPERATURE	-30°C TO +60°C
OPERATING TEMPERATURE	-10°C TO +45°C

Model	Device	Color	B/W	DC	AC	Auto iris	Lens	Hi-Res.	Medium Res.	Sensitivity (Lux)	Remark
HTC-2N3	1/4"	Y		Y			3.6mm		Y	1	32X32mm
HTC-2N3S	1/4"	Y		Y			3.7mm		Y	1	32X32mm
HTC-2N3C	1/4"	Y		Y			3.6mm		Y	1	32X32mm
HTC-2N3SC	1/4"	Y		Y			3.7mm		Y	1	35X35mm
HTC-2N1S	1/4"	Y		Y			3.7mm		Y	1	35X35mm

All board camera accompany with 3.6mm F2.0 lens other lens are optional. E.g. 2.9, 3.7, 4.0, 6.0, 8.0, 12.0mm,...etc.



One More Eye
to Ensure
Your Security

