



HTC-65GWD



HTC-11GWD28D



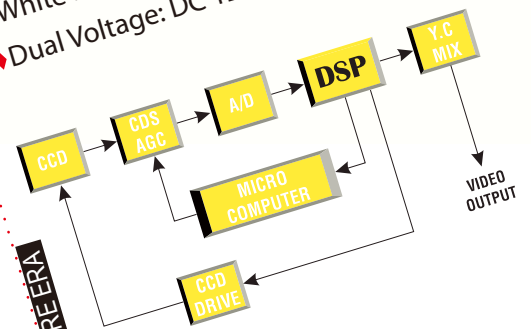
HTC-11GWD28DID



HTC-7WD28DID

WIDE DYNAMIC RANGE DAY/NIGHT CAMERA

- ◆ OSD function control
- ◆ Day/Night function: Auto switch from Color to B/W
- ◆ Camera ID: up to 12 characters
- ◆ Low speed shutter up to 32X
- ◆ Adjustable function: Wide Dynamic Range, Back light compensation, Gain control, White Balance, Digital Slow Shutter
- ◆ Dual Voltage: DC 12V / AC 24V



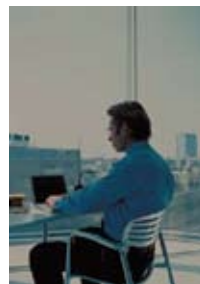
BUILDING A NEW SECURE ERA



High shutter speed



Combine both low shutter and high shutter speed



Low shutter speed

SPECIFICATIONS

ITEM NO	HTC-65GWD	HTC-11GWD28D	HTC-11GWD28DID	HTC-7WD28DID
TYPE	BOX	VANDAL DOME	IR VANDAL DOME	IR BULLET
Pick Up Device	1/3 type digital image device with Wide Dynamic Range			
Sensor	Pixiom orca			
Picture Elements (Pixel)	NTSC: 742H x 554V			
H. Sync. Frequency	NTSC:15.734 KHz /60 Hz PAL:15.625 KHz / 50 Hz			
V. Sync. Frequency	NTSC: 59.94 Hz PAL : 50 Hz			
Synchronization	AC: Line Lock, DC internal			
Sensitivity	0.5 Lux at F1.2			
Day/ Night	Normal image, D/N with digital slow shutter			
IR Ray	Sensitive IR wave 850~940nm			
Built in IR LED	N/A	N/A	14 pcs	35 pcs with 3 level CDS control
IR Range	N/A	N/A	60ft.	100ft.
Wide Dynamic	High-speed, automatic 5-level exposure control for each pixel: High / Normal / Custom / Off			
Dynamic Range	120dB Max., 102dB typical			
Auto White Balance Range	Single-push and manual, 2000K ~ 11000K			
Resolution	480 TVL (High)			
Back Light Compensation	ON / OFF switchable			
Slow Shutter	Off, x2 , x4, x8, x16, x32			
Gain Control	High / Medium / Custom / Low			
Mount Lens	CS mount	3~12mm lens	3.7~12mm lens	3.7~12mm lens
Video Output	1VP-P, 75 Ohms			
S/N Ratio	More than 48 dB			
Power Supply	Dual Power DC 12V / AC 24V			
Power Consumption	240mA at DC 12V, 3W at AC 24V		450mA at DC 12V, 4.5W at AC 24V	
Dimension (mm)	85X59X59 H97 x Ø 137		H110 x Ø 142	Ø80 x 128
Weight lbs	2.2	1.5	2.3	1.32
Storage Temperature	-10° C~+60° C			
Operation Temperature	-10° C~+60° C			



HTC-65GWD



HTC-11GWD28D



HTC-11GWD28DID



HTC-7WD28DID

HTC-65GWD WDR camera provides various useful functions for users to get flexible surveillance anytime and anywhere. Wide Dynamic Range camera is specially designed for back light environment. HTC-65GWD WDR camera uses a unique image analysis technology to enhance every pixel in the captured images. Unlike conventional BLC function and other companies' Wide dynamic worked by shutter speed which provide clear image for both interior and exterior environment.



WDR Camera

Normal CCD Camera