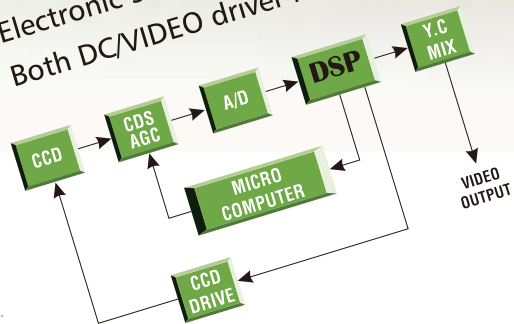




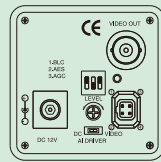
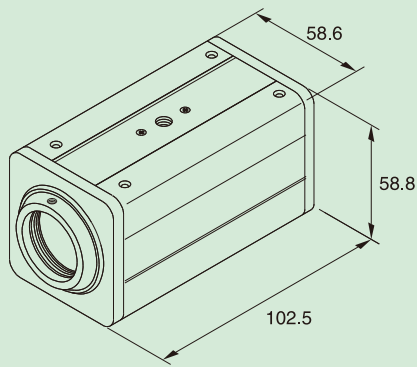
600 SERIES

DIGITAL COLOR CCD CAMERA

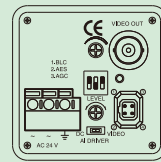
- ◆ Full digital process of BLC
- ◆ Auto Tracing White Balance
- ◆ 2H mode of H.V. aperture correction
- ◆ Digital process of color matrix
- ◆ Electronic Shutter up to 1/100,000
- ◆ Both DC/VIDEO driver iris lens are available



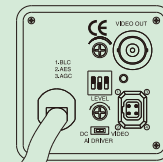
BUILDING A NEW SECURE ERA



DC 12V



AC 24V



AC 110/230V

SPECIFICATIONS



One More Eye
to Ensure
Your Security



ITEMS	COLOR
PICK UP DEVICE	1/3" CCD image sensor
IMAGE SIZE H x V mm	3.64 x 482
PICTURE ELEMENTS	NTSC (EIA) 510 x 492, PAL (CCIR) 512 x 582 Medium Resolution
PICTURE ELEMENTS	NTSC (EIA) 771 x 494, PAL (CCIR) 753 x 582 High Resolution
H . SYNC FREQUENCY	NTSC/EIA 15.734 K Hz, PAL/CCIR 15.625 K Hz
SYNCHRONIZATION	Internal / DC type, Line-lock / AC type
V. FREQUENCY	NTSC/EIA 60 Hz, PAL/CCIR 50 Hz
H. RESOLUTION TV-LINE	400 / 540 Hi-Res
B. LIGHT COMPENSATION	ON/OFF Switch
AUTO GAIN CONTROL	ON/OFF Switch
ELECTRONIC SHUTTER	ON/OFF Switch Range: 1/50 (1/60) ~ 1/100.000 sec
AUTO IRIS MODE	DC / VIDEO drive Switch
APERTURE CORRECTION	2H mode enhancement
WHITE BALANCE	Auto trance white balance
POWER CONSUMPTION	220mA / 240mA Hi-Res at 12 DCV
POWER CONSUMPTION	4W / 4.5W Hi-Res at AC power
GAMMA CORRECTION	0.45
S/N RATIO	More than 48 dB
LINE-LOCK	With 270 degree V phase adjustment
VIDEO OUTPUT	1 Vp-p, 75 Ohms composite
POWER SUPPLY	12 VDC, 24/ 110/ 220/ 240 VAC ±10% Optional
DIMENSIONS W x H x D mm	DC / AC 85 x 59 x 59
WEIGHT g	DC 320 AC 680
STORAGE TEMPERATURE	-30°C TO +60°C
OPERATING TEMPERATURE	-10°C TO +45°C

Specifications are Subject to Change without Notic.

Model Number	Color	Monochrome	DC	AC	High-Res.	Medium Res.	Line Lock	Sensitivity
HTC-66EL (High Sensitivity)	Y			Y	Y		Y	0.05
HTC-66D (High Sensitivity)	Y		Y		Y			0.05
HTC-65AL	Y			Y		Y	Y	1
HTC-65A	Y			Y		Y		1
HTC-65D	Y		Y			Y		1



HUNT ELECTRONIC USA, INC.

Hunt Electronic is registered trademark of Hunt Electronic USA Incorporated, 2002 All rights reserved.

<http://www.huntcctv.com>