



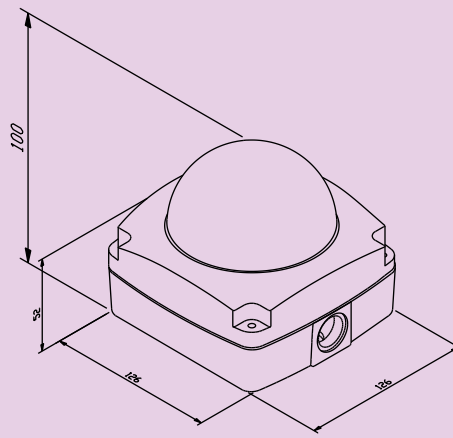
HTC-10E SERIES



VANDAL DOME CAMERA

- ◆ Day/Night Version also available
- ◆ Intelligent design-Fit for either wall or ceiling mount application
- ◆ Vandal resistance
- ◆ Water resistance
- ◆ Full Digital process of BLC
- ◆ Auto tracing white balance
- ◆ 2H Mode of H.V. aperture correction
- ◆ Digital process of color Matrix
- ◆ 24VAC with isolated line lock

BUILDING A NEW SECURE ERA



SPECIFICATIONS

ITEMS	COLOR
PICK UP DEVICE	1/3" CCD image sensor
PICTURE ELEMENTS	NTSC (EIA) 510 x 492, PAL (CCIR) 512 x 582 Medium Resolution
PICTURE ELEMENTS	NTSC (EIA) 771 x 494, PAL (CCIR) 753 x 582 High Resolution
H. SYNC FREQUENCY	NTSC / EIA 15.734 K Hz, PAL / CCIR 15.625 K Hz
SYNCHRONIZATION	Line-lock / AC type
V. FREQUENCY	NTSC / EIA 60 Hz, PAL / CCIR 50 Hz
H. RESOLUTION TV-LINE	400 / 540 Hi-Res
B. LIGHT COMPENSATION	ON/OFF Switch
AUTO GAIN CONTROL	Automatic
ELECTRONIC SHUTTER	ON/OFF Switch Range : 1/50 (1/60) ~ 1/100.000 sec
AUTO IRIS MODE	DC drive
APERTURE CORRECTION	2H mode enhancement
WHITE BALANCE	Auto trance white balance
POWER CONSUMPTION	4W / 4.5W Hi-Res at AC power
GAMMA CORRECTION	0.45
S/N RATIO	More than 48 dB
LINE-LOCK	With 270 degree V phase adjustment
VIDEO OUTPUT	1 Vp-p, 75 Ohms composite
POWER SUPPLY	24 VAC,
DIMENSIONS	H97* ϕ 137
WEIGHT g	740
STORAGE TEMPERATURE	-30°C TO +60°C
OPERATING TEMPERATURE	-10°C TO +45°C

Specifications are Subject to Change without Notice.



**One More Eye
to Ensure
Your Security**



Model Number	DAY/NIGHT	Color	Monochrome	Hi-Res.	Medium Res.	AC	Focal Lens	Auto iris DC Dr.	Manual Lens	Line Lock	Sensitivity	IR Sensitive
HTC-10EG48DDN	Y	Y		Y		Y		3.5-8.0mm		Y	1/0.03	Y
HTC-10EC48DDN	Y	Y			Y	Y		3.5-8.0mm		Y	2/0.03	Y
HTC-10EG36		Y		Y		Y	3.6mm			Y	0.05	
HTC-10EG48M		Y		Y		Y			3.5-8.0mm	Y	0.05	
HTC-10EG48D		Y		Y		Y		3.5-8.0mm		Y	0.05	
HTC-10EC36		Y			Y	Y	3.6mm			Y	1	
HTC-10EC48M		Y			Y	Y			3.5-8.0mm	Y	1	
HTC-10EC48D		Y			Y	Y		3.5-8.0mm		Y	1	