



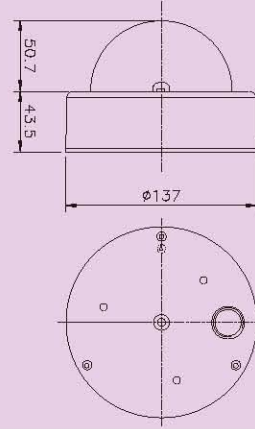
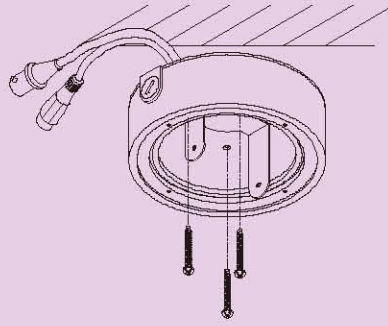
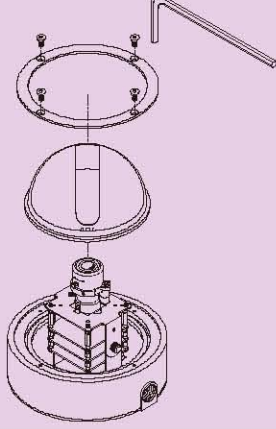
HTC-11 SERIES

VANDAL DOME CAMERA

- ◆ Vandal resistant
- ◆ Water resistant
- ◆ Full digital process of BLC
- ◆ Auto Tracing White Balance
- ◆ 2H Mode of H.V. aperture correction
- ◆ Digital process of color matrix
- ◆ Electronic Shutter up to 1/100,000
- ◆ Vari-focal Auto iris lens
- ◆ 24VAC with line lock



PROTECTING A NEW SECURE ERA



SPECIFICATIONS

ITEMS	COLOR
PICK UP DEVICE	1/3" CCD image sensor
PICTURE ELEMENTS	NTSC (EIA) 510 x 492, PAL (CCIR) 512 x 582 Medium Resolution
PICTURE ELEMENTS	NTSC (EIA) 771 x 494, PAL (CCIR) 753 x 582 High Resolution
H. SYNC FREQUENCY	NTSC / EIA 15.734 K Hz, PAL / CCIR 15.625 K Hz
SYNCHRONIZATION	Line-lock / AC type
V. FREQUENCY	NTSC / EIA 60 Hz, PAL / CCIR 50 Hz
H. RESOLUTION TV-LINE	540 Hi-Res
B. LIGHT COMPENSATION	ON/OFF Switch
AUTO GAIN CONTROL	Automatic
ELECTRONIC SHUTTER	ON/OFF Switch Range : 1/50 (1/60) - 1/100.000 sec
AUTO IRIS MODE	DC drive
APERTURE CORRECTION	2H mode enhancement
WHITE BALANCE	Auto trance white balance
POWER CONSUMPTION	4W / 4.5W Hi-Res at AC power
GAMMA CORRECTION	0.45
S/N RATIO	More than 48 dB
LINE-LOCK	With 270 degree V phase adjustment
VIDEO OUTPUT	1 Vp-p, 75 Ohms composite
POWER SUPPLY	24 VAC,
DIMENSIONS	H97*φ137
WEIGHT g	740
STORAGE TEMPERATURE	-30°C TO +60°C
OPERATING TEMPERATURE	-10°C TO +45°C

Specifications are Subject to Change without Notice.



**One More Eye
to Ensure
Your Security**



Model Number	Color	D/N	Hi-Res.	Medium Res.	AC	Focal Lens	Auto iris DC Dr.	Manual Lens	Line lock	Sensitivity
HTC-11G36	Y		Y		Y	3.6mm			Y	0.05
HTC-11G48M	Y		Y		Y			4.0-8.0MM	Y	0.05
HTC-11G48D	Y		Y		Y		4.0-8.0MM		Y	0.05
HTC-11C36	Y			Y	Y	3.6mm			Y	1
HTC-11C48M	Y			Y	Y			4.0-8.0MM	Y	1
HTC-11C48D	Y			Y	Y		4.0-8.0MM		Y	1
HTC-11G48DDN	Y	Y	Y		Y		2.8-10MM		Y	0.05
HTC-11C48DDN	Y	Y		Y	Y		2.8-10MM		Y	1



HUNT ELECTRONIC USA, INC.

Hunt Electronic is registered trademark of Hunt Electronic USA Incorporated, 2002 All rights reserved.

<http://www.huntcctv.com>