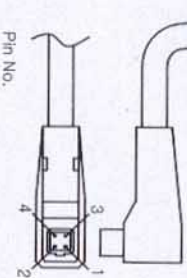
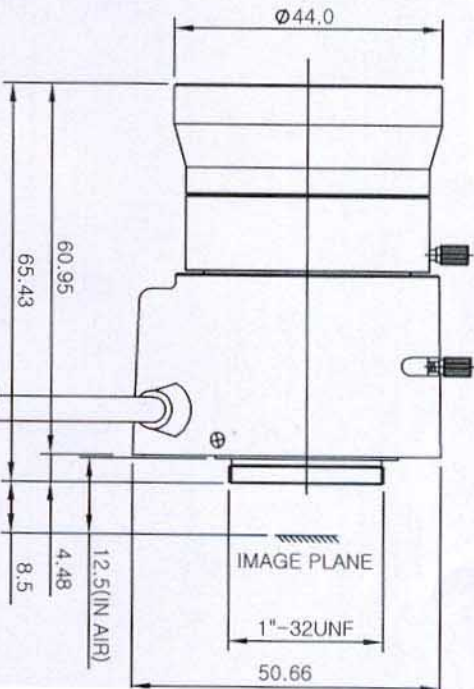
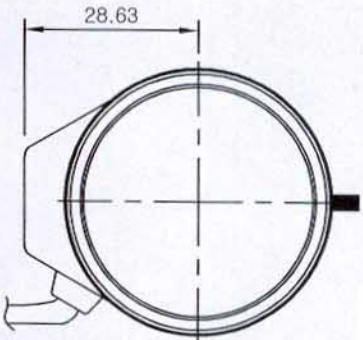


SPECIFICATION

1. Focal Length : 5 ~ 50 mm
2. Back Focal Length : 8.4 ~ 14.2 mm
3. Distortion : 1/3" CCD : -9.3% ~ -0.1%
4. Aperture Ratio : 1.8 ~ 360
5. Max. Image Format : 4.8 x 3.6 mm ($\phi 6\text{mm}$)
6. Operation : Iris / Auto(DC Type) , Focus / Manual
7. Angle of View : 1/3" ... (D)63° ~ 6.9° / (H)51.2° ~ 5.7° / (V) 38.9° ~ 4.3°
8. Lens Construction : 9 Components 12 Elements
9. Weight : 132g



Pin No.	Control
1	Control(-)
2	Control(+)
3	Drive (+)
4	Drive (-)