

SPECIFICATION

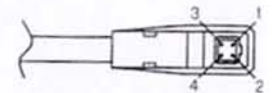
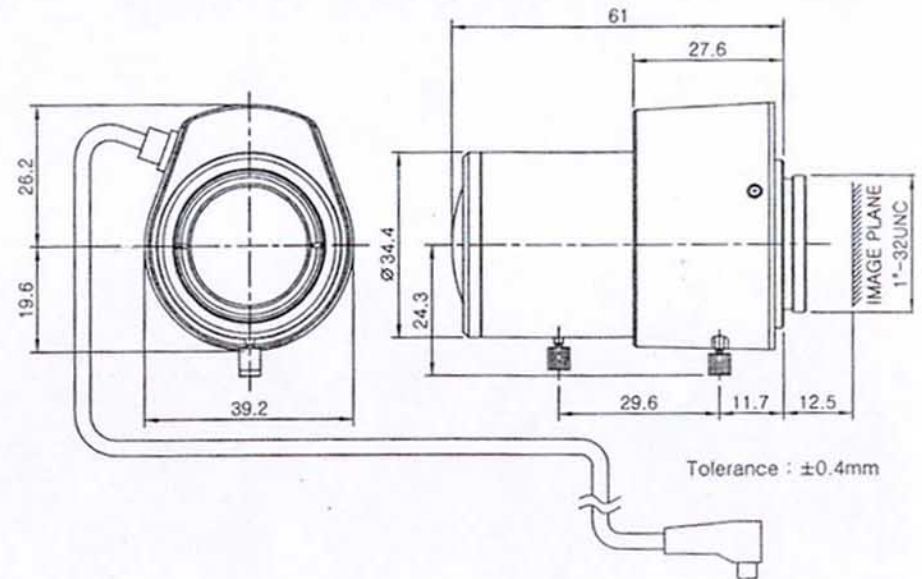
1. Focal Length : 2.8 ~ 11.5mm
2. Back Focal Length : 9.75 ~ 20.46mm
3. Distortion : 1/3" CCD : -56.5% ~ -2.7%
1/4" CCD : -27.3% ~ -1.5%

4. Aperture Ratio : 1.4 ~ 360
5. Image Format : 1.3" CCD, 1/4" CCD
6. Operation : Iris / Auto(DC Type), Focus / Manual

7. Angle of View : 1/3" ... (D)134.0° ~ 32.0° / (H)99.8° ~ 25.0° / (V)72.5° ~ 18.7°
1/4" ... (D)92.7° ~ 23.4° / (H)72.5° ~ 18.8° / (V)53.5° ~ 14.0°

8. Lens Construction : 7 Components 9 Elements

9. Weight : 100.5g



Pin No.

1	Control(-)
2	Control(+)
3	Drive (+)
4	Drive (-)