



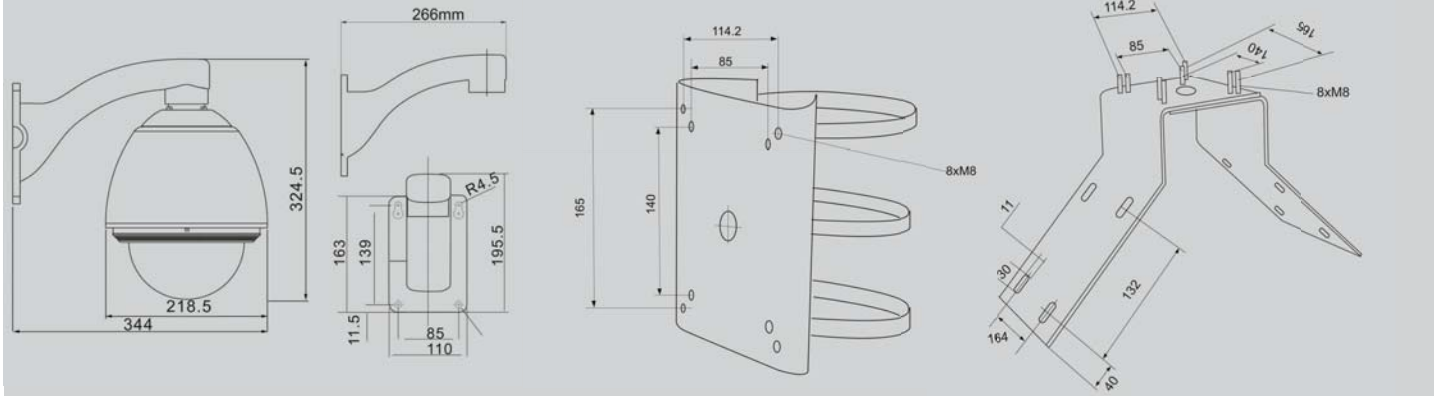
HIGH PERFORMANCE SPEED DOME CAMERA

1800 Series 18x Optical 12x Digital zoom

- 18x Optical zoom, 12x Digital zoom, total 216x
- Rotation angle: Horizontal-360° continuous rotation, Vertical 90°
- Proportional speed- increases and decreases panning in proportion to depth of zoom
- 128 Camera angle preset positions
- Speed control with 64 steps
- Alarm input: 4 channel alarm input
- Private masking zone function
- Communication protocol: RS-485/422
- Communication baud rate: 9600bps, 4800bps, 2400bps, 1200bps
- Controller: Associate with HKB-300 speed dome controller up to 256 units
- CE & FCC



HKB-300



Exterior Model

SPECIFICATIONS



Wall mount
HTZ-1800WBH



Ceiling pendant mount
HTZ-1800DBH



Pole mount
HTZ-1800PBH



Corner mount
HTZ-1800CBH



Roof top mount
HTZ-1800RBH

Interior Model



Recess mount
HTZ-1800IR



Ceiling pendant mount
HTZ-1800IC



Drop ceiling mount
HTZ-1800ID

MODEL	HTZ-1800 SERIES
Pick Up Device	1/4" SONY Ex-view HAD CCD
Zoon Module	FCB-EX48B/ EX48BP
Communication Bus	RS485 Bus
Communication Transmission Speed	1200/ 2400/ 4800/ 9600bps
Horizontal rotation speed	0.4° - 280° (1-64 grade shift gears)
Horizontal rotation range	360° continuous rotation
Tilt rotation range	90°
Auto flip	Rotates 180° when camera tilts to the vertical position
Auto zoom speed control	Control speed auto-adjusted according to zoom length changing
2 points scan	Yes
2 points scan speed	1- 64 grade available
Dwell time (2 points scan)	1 - 60s available
Preset Positions	128 positions
Running to preset speed:	1 - 64 grade available, 0.4° - 280 °
Dwell time at preset position	1 - 60s available
Alarm	4 channel alarm input
Masking Feature	Yes
Cruise Tour:	8 group
Cruise Points Qty per cruise group	16 preset positions
Blower, Heater (outdoor model only)	Heater<5°C, fan>45°C, heater 24VAC, 0.73A, 17.5W blower, 12VDC, 0.12A, 1.44W
Sync	Internal/ external
Scan	2:1 Interlace
Resolution	>480 lines
Minimum illumination	0.7lux
Zoom	18X Optical 12X Digital
Iris	Auto/manual
Focus	Auto/manual
Zoom	Auto/manual
Focal length	f=4.1-73.8mm, F=1.4-3
Angle of view	47° (wide), 2° (Tele-)
Backlight compensation	Backlight compensation
White balance	Auto
Gain	Auto
Signal	NTSC/ PAL
S/N ratio	>55dB
Video signal output	1.0 ± 0.2Vp-p
Power Supply	AC24V ± 5%
Power Consumption	20W
Weight	7.6 kg
Storage Temperature	-30° C~+60° C
Operating Temperature	-10° C~+45° C

Specifications are Subject to Change without notice.

