



HIGH PERFORMANCE SPEED DOME CAMERA

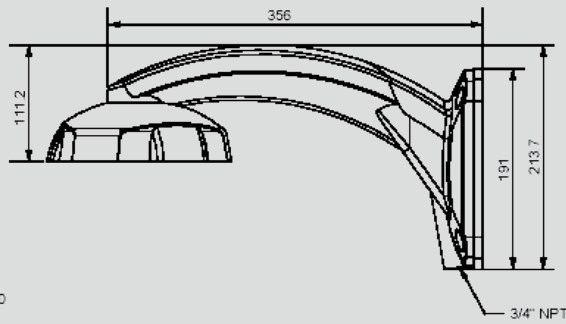
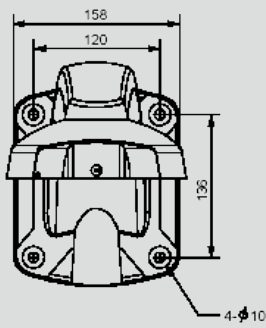
2600 Series 26x Optical 12x Digital zoom



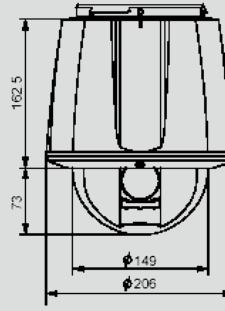
HTZ-2600DBH

- High resolution SONY Ex-view CCD
- 312X Zoom Control (Optical 26X, Digital 12X)
- Zoom module: FCB-EX980
- Day & Night (IR Cut Filter)
- Digital Slow Shutter (DSS)
- Speed: max. 360 ° sec, min. 0.05 ° sec
- Rotation angle: Horizontal-360° continuous rotation
- Low Noise & Vibration
- 128 Preset Positions with Alphanumeric Labels
- Communication protocol: RS-485
- Shortest Path with Vector Drive Technology
- 4 Pattern, 8 Swing and 8 Group Functions
- 8 Privacy Zones (Spherical Coordinates)
- High Accuracy with Micro-Stepping
- Built-in Sensor 4 Input/ 2 output
- Communication Protocol: Pelco D, Pelco P selectable
- Communication baud rate: 9600bps, 4800bps, 2400bps
- Controller: Associate with HKB-300 speed dome controller up to 255 units
- 24VAC
- CE, FCC, RoHS, IP 66

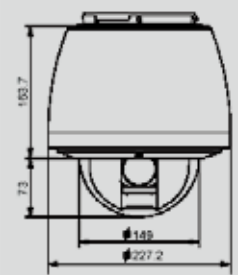
● Wall Mount Bracket



● Main Body



● Main Body (Sun Shield)



Exterior Model

Wall mount
HTZ-2600WBH



Ceiling pendant mount
HTZ-2600DBH



Pole mount
HTZ-2600PBH



Corner mount
HTZ-2600CBH



Roof top mount
HTZ-2600RBH

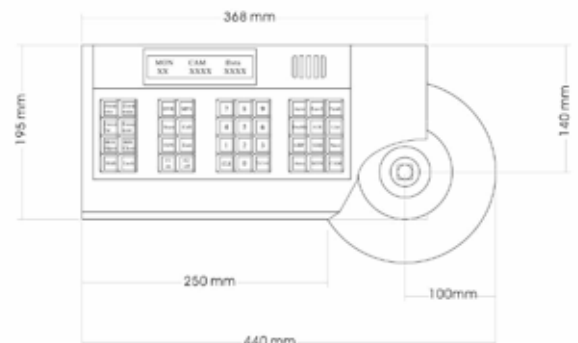
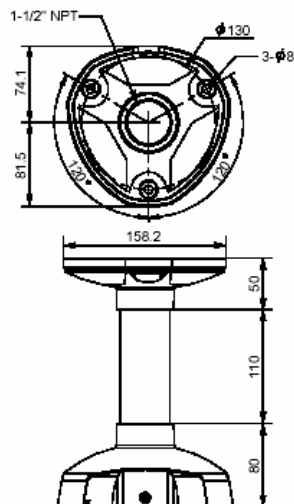


Interior Model

Recess mount
HTZ-2600IR



● Ceiling Mount Bracket



SPECIFICATIONS

Model	HTZ-2600	HTZ-2600X
Signal Format	NTSC	PAL
Image Device	1/4" SONY Ex-View CCD	
Effective Pixel	410K Pixels [768(H) x 494(V)]	440K Pixels [752(H) x 582(V)]
H. Resolution	540 TV Lines	540 TV Lines
S/N Ratio	More than 50dB	
Zoom	26X Optical Zoom and 12X Digital Zoom	
Focal Length	F1.6~3.8, f=2.5~91mm	
MIN. Illuminance	Day : 1.0 Lux (Color) / Night : 0.01 Lux(B/W)	
Day & Night	Auto / Day / Night (IR Cut Filter)	
Focus	Auto / Manual / Semi-Auto	
AE Mode	Auto / Iris / Shutter / Manual / Brightness	
White Balance	Auto / Manual (Red & Blue Gain Adjustable)	
BLC	On / Off	
Flicker-less	On / Off	
Range	Pan : 360°(Endless) / Tilt : 95°	
Pan/Tilt Speed	Preset : 360°/ sec Manual : 0.05°~ 360°/ sec (Zoom Proportional) Swing : 1°~ 180°/ sec	
Preset	128 Presets with Labels / Independent Preset Characteristic Setup	
Pattern	4 Patterns (Approx. 5 Minutes for Each Pattern)	
Swing	8 Swings	
Group	8 Groups (MAX. 20 Entries for Each Group)	
Other Functions	Auto Flip, Auto Parking, Power-up Action & etc.	
Communication	RS-485	
Protocol	Pelco-D, Pelco-P Selectable	
Privacy Zone	8 Zones	
Sensor In/Out	Built-in 4 Input / 2 Output	
OSD	English On / Off	
Fan/Heater	Built-in	
Power	AC Type : AC 24V / 1.5A	
Dimension	Dome : ϕ 149 mm / 5.9" Housing : 206(ϕ) x 235(H) mm / 8.1" (ϕ) x 9.2" (H)	
Weight	Approx. 5 Kg / 11 Lbs	
Operating Temp.	-30°C ~ 50°C / -22°F ~ 122°F	

Specifications are Subject to Change without notice.