



HTC-5AH2810D



HTC-7AH10Z



HTC-7AH550D



HTC-7AH2910D



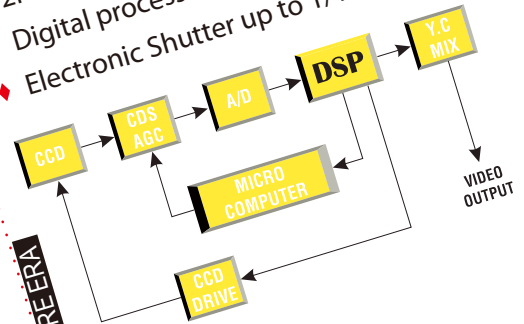
HTC-7AH2910HD



HTC-7AH36D

DAY/NIGHT IR BULLET CAMERA

- ◆ Day/ Night feature with built in IR illuminators
- ◆ Built in vari focal auto iris push filter D/N lens DC Dr.
- ◆ External lens adjustment
- ◆ Sensitive to 850~940nm of IR ray
- ◆ Auto Trace White Balance
- ◆ 2H mode of H.V. aperture correction
- ◆ Digital process of color matrix
- ◆ Electronic Shutter up to 1/100,000



BUILDING A NEW SECURE ERA

Model Number	Day/ Night	IR LED	Push Filter	Color	Dual Voltage	Sensitivity	IR Sensitivity
HTC-7AH10Z	Y	33	Y	Y	24VAC/ 12VDC	0 Lux	850~940nm
HTC-7AH550D	Y	30	Y	Y	24VAC/ 12VDC	0 Lux	850~940nm
HTC-7AH2910HD	Y	80	Y	Y	12VDC	0 Lux	850~940nm
HTC-7AH2910D	Y	33	Y	Y	24VAC/ 12VDC	0 Lux	850~940nm
HTC-7AH36D	Y	6	Y	Y	12VDC	0 Lux	850~940nm
HTC-5AH2810D	Y	18	Y	Y	24VAC/ 12VDC	0 Lux	850~940nm

SPECIFICATIONS

ITEM NO	10X IR Zoom Cameras		Vari focal IR Cameras				
	HTC-7AH10Z	HTC-7AH550D	HTC-7AH2910HD	HTC-7AH2910D	HTC-7AH36D	HTC-5AH2810D	
PICK UP DEVICE	CCD Image Sensor 1/4"	CCD Image Sensor 1/3"					
PICTURE ELEMENTS	NTSC 768H x 494V	NTSC 771H x 494V					
OPTICS	10X, f = 3.8 to 38.0mm f1.8 to 2.8	5~50mm	2.9~10mm	2.9~10mm	3.6mm	2.8~10mm	
DIGITAL ZOOM	Off, X2, X4, X8	N/A	N/A	N/A	N/A	N/A	
HORIZONTAL RESOLUTION	540 TV Lines						
H. SYNC. FREQUENCY	NTSC 15.734 KHz /60 Hz, PAL 15.625 KHz / 50 Hz						
CLOCK FREQUENCY	NTSC 28.636 MHz, PAL 28.5 MHz						
IR ILLUMINATOR	33 LED	12 Plus 18 power LED	80 LED	33 LED	6 Power LED	18 LED	
IR RANGE	150 ft.	300 ft.	150 ft.	100 ft.	200 ft.	60 ft.	
SENSITIVITY D/N	0 Lux when IR on						
DAY/ NIGHT	Normal image, Day/Night CDS auto switch						
MIN. ILLUMINATION	0.7 Lux/ f 1.8 Color, 0.1 Lux/ f 1.8 B/W	0.1 Lux (Day Light), 0.0 Lux (w/ IR LED ON)					
S/N RATIO	50 dB (AGC OFF)	More Than 48dB					
IR CUT FILTER	Built in						
IR RAY	Sensitive IR wave 850-940nm						
VIDEO OUT	1 Vp-p, 75 Ohms Composite						
AUTO IRIS LENS	10X Zoom Lens, f = 3.8 to 38.0mm f1.8 to 2.8	5~50mm	2.9~10mm	2.9~10mm	3.6mm Fixed iris	2.8~10mm	
SYNCHRONIZATION	Line Lock AC type	Line Lock AC type	Internal	Line Lock AC type	Internal	Line Lock AC type	
SCANNING SYSTEM	2:1 Interlace						
AUTO GAIN CONTROL	Off, Low, Middle, High selectable	ON/ OFF automatic					
ELECTRONIC SHUTTER	ESC (X128 ~ 1/60sec ~ 1/20000)	Internal (1/10,000 sec.)					
ELECTRONIC SHUTTER	Manual (X128~1/60sec~1/120000)						
ELECTRONIC SHUTTER	Flickerless(1/ 100sec)						
WHITE BALANCE	ATW/ AWC/ Manual (1800K ~ 10,500K)	Auto tracing white balance					
BACK LIGHT COMPENSATION	Off, Low, Middle, High	Internal automatic					
GAMMA	0.45	0.45					
FOCUS	Manual (External)				Fixed	Fixed	
CAMERA TITLE	OFF/ ON (Displayed 15 characters)	N/A					
APERTURE CORRECTION	2H mode enhancement						
MOTION DETECTION	OFF/ ON(4 Programmable Zone per Screen)	N/A					
DNR	OFF, Low, Middle, High	N/A					
PRIVACY FUNCTION	OFF/ ON (4 Programmable Zone per Screen)	N/A					
MIRROR	OFF, Horizontal, Vertical, Vertical-Horizontal	N/A					
COMMUNICATION	RS-485	N/A					
POWER SUPPLY	DC12V/ AC24V Dual	DC12V/ AC24V Dual	12VDC	DC12V/ AC24V Dual	12VDC	DC12V/ AC24V Dual	
POWER COMSUMPTION	AC24V/ DC12V	AC24V/ DC12V	12VDC	AC24V/ DC12V	12VDC	AC24V/ DC12V	
POWER COMSUMPTION	460mA/ 800mA	460mA/ 1 Amp	1Amp	400mA/ 650mA	1Amp	400mA/ 450mA	
DIMENSION (mm)	122.5Ø x 128	97Ø x 172	122.5Ø x 128	80Ø x 128	122.5Ø x 128	75Ø x 180.5	
WEIGHT g	900g	980g	1700g	600g	1,700g	658g	
STORAGE TEMPERATURE	-30° C~+60° C						
OPERATING TEMPERATURE	-10° C~+45° C						
OPERATING HUMIDITY	95% RH max.						

Specifications are Subject to Change without notice.