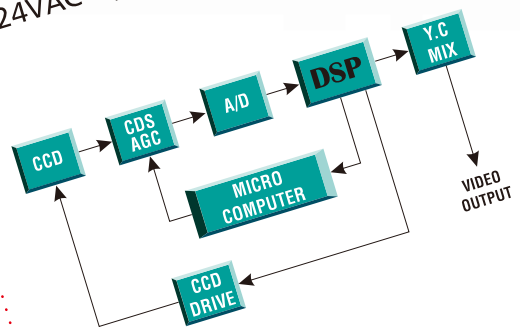




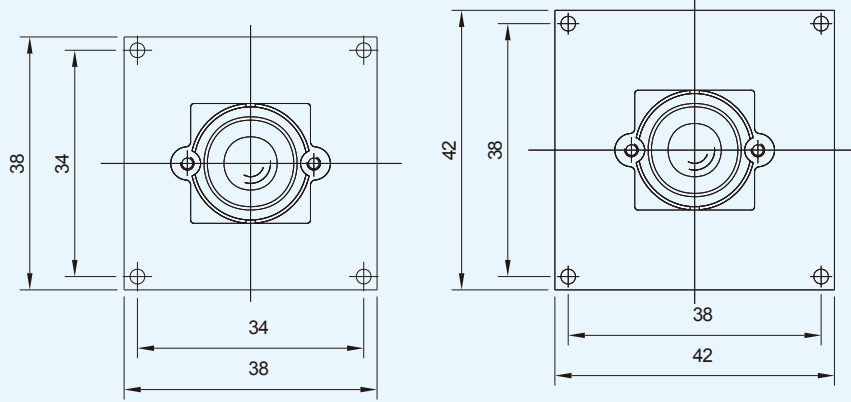
200 Series

BOARD CAMERA

- ◆ Full digital process of BLC
- ◆ Auto Tracing White Balance
- ◆ 2H mode of H.V. aperture correction
- ◆ Electronic Shutter up to 1/100,000
- ◆ 24VAC Optional



BUILDING A NEW SECURE ERA



SPECIFICATIONS

ITEMS	MONOCHROME
PICK UP DEVICE	1/3" CCD image sensor
IMAGE SIZE H x V mm	1/3" 3.61 x 2.72, 1/3" 3.64 X 4.82
PICTURE ELEMENTS	NTSC (EIA) 510 x 492, PAL (CCIR) 512 x 582 Medium Resolution
PICTURE ELEMENTS	NTSC (EIA) 771 x 494, PAL (CCIR) 753 x 582 High Resolution
H . SYNC FREQUENCY	NTSC/EIA 15.734 K Hz, PAL/CCIR 15.625 K Hz
SYNCHRONIZATION	Internal, Line-lock / For AC type (option)
V. FREQUENCY	NTSC/EIA 60 Hz, PAL/CCIR 50 Hz
H. RESOLUTION TV-LINE	420 / 580 Hi-Res
SENSITIVITY	0.01 Lux / 0.1 Lux Hi-Res
WHITE BALANCE	None
B. LIGHT COMPENSATION	Automatic
AUTO GAIN CONTROL	Automatic
ELECTRONIC SHUTTER	Automatic Range: 1/50 (1/60) ~ 1/100.000 sec
POWER CONSUMPTION	115mA / 125mA Hi-Res
APERTURE CORRECTION	1H mode enhancement
GAMMA CORRECTION	0.45
S/N RATIO	More than 48 dB
VIDEO OUTPUT	1 Vp-p, 75 Ohms composite
POWER SUPPLY	12 VDC
DIMENSIONS W x H x D mm	Single board for monochrome
WEIGHT g	100
STORAGE TEMPERATURE	-30°C TO +60°C
OPERATING TEMPERATURE	-10°C TO +45°C

Model	Device	Color	B/W	DC	AC	Auto iris	Lens	Hi-Res.	Medium Res.	Sensitivity (Lux)	Remark
HTC-21636V24	1/3"		Y	Y	Option	3.6mm	Y			0.1	42X42mm
HTC-21136V24	1/3"		Y	Y	Option	3.6mm			Y	0.01	42X42mm
HTC-216V24VF49	1/3"		Y	Y	Y	2.8-10mm	Y			0.1	42X42mm
HTC-211V24VF49	1/3"		Y	Y	Y	2.8-10mm			Y	0.01	42X42mm

All board camera accompany with 3.6mm F2.0 lens other lens are optional. E.g. 2.9, 3.7, 4.0, 6.0, 8.0, 12.0mm,...etc.



One More Eye
to Ensure
Your Security

